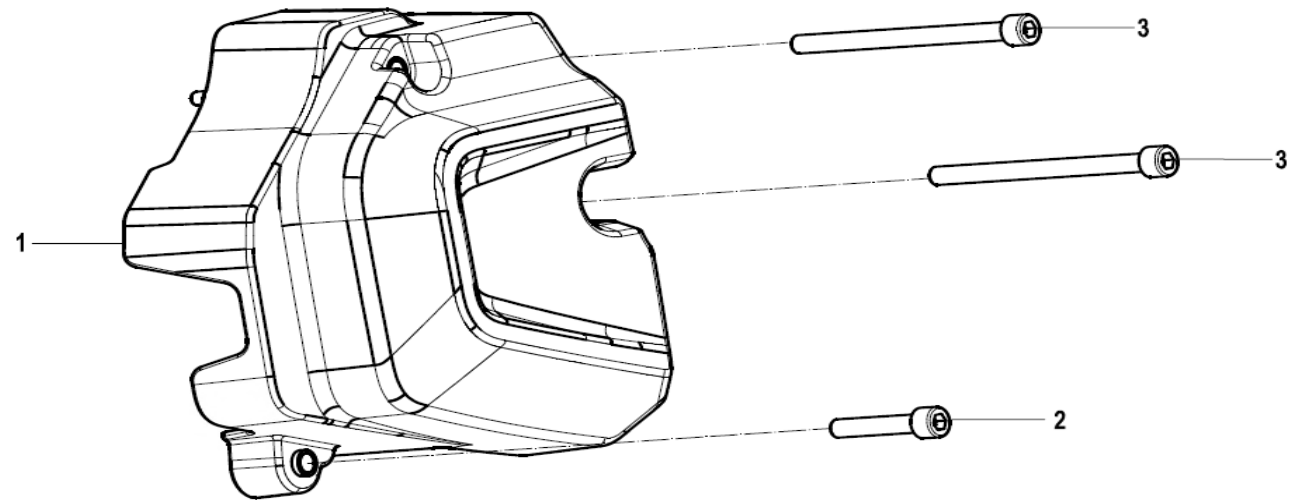
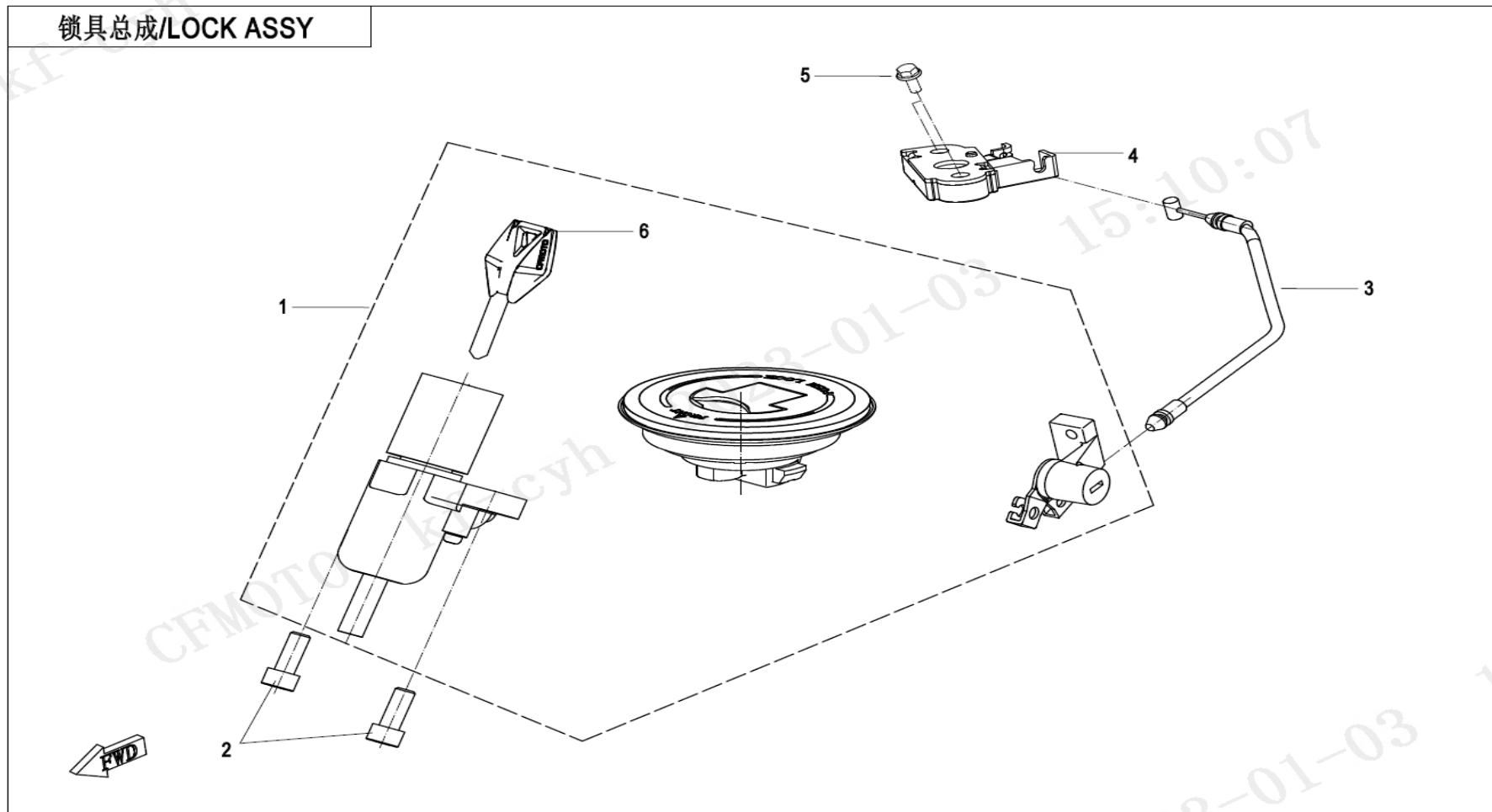


安装附件/ENGINE FITTINGS



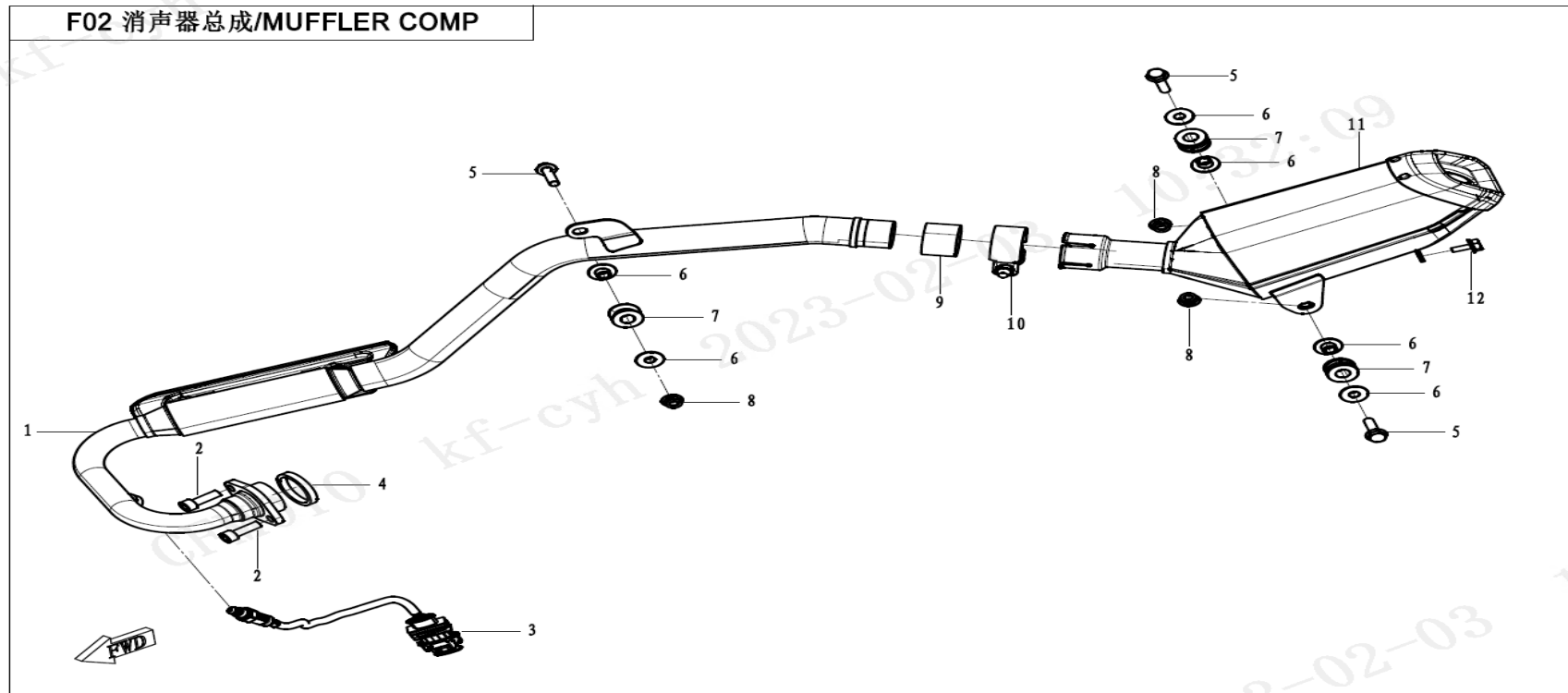
NO.	CODE	EN DESCRIPTION	QTY	REMARKS
F00-01	6FIV-040011-7100	SMALL SPROCKET GUARD	1	
F00-02	0010-021017-0010	BOLT M6x25	1	
F00-03	0020-011018-00001	BOLT	2	

F01 LOCK KIT



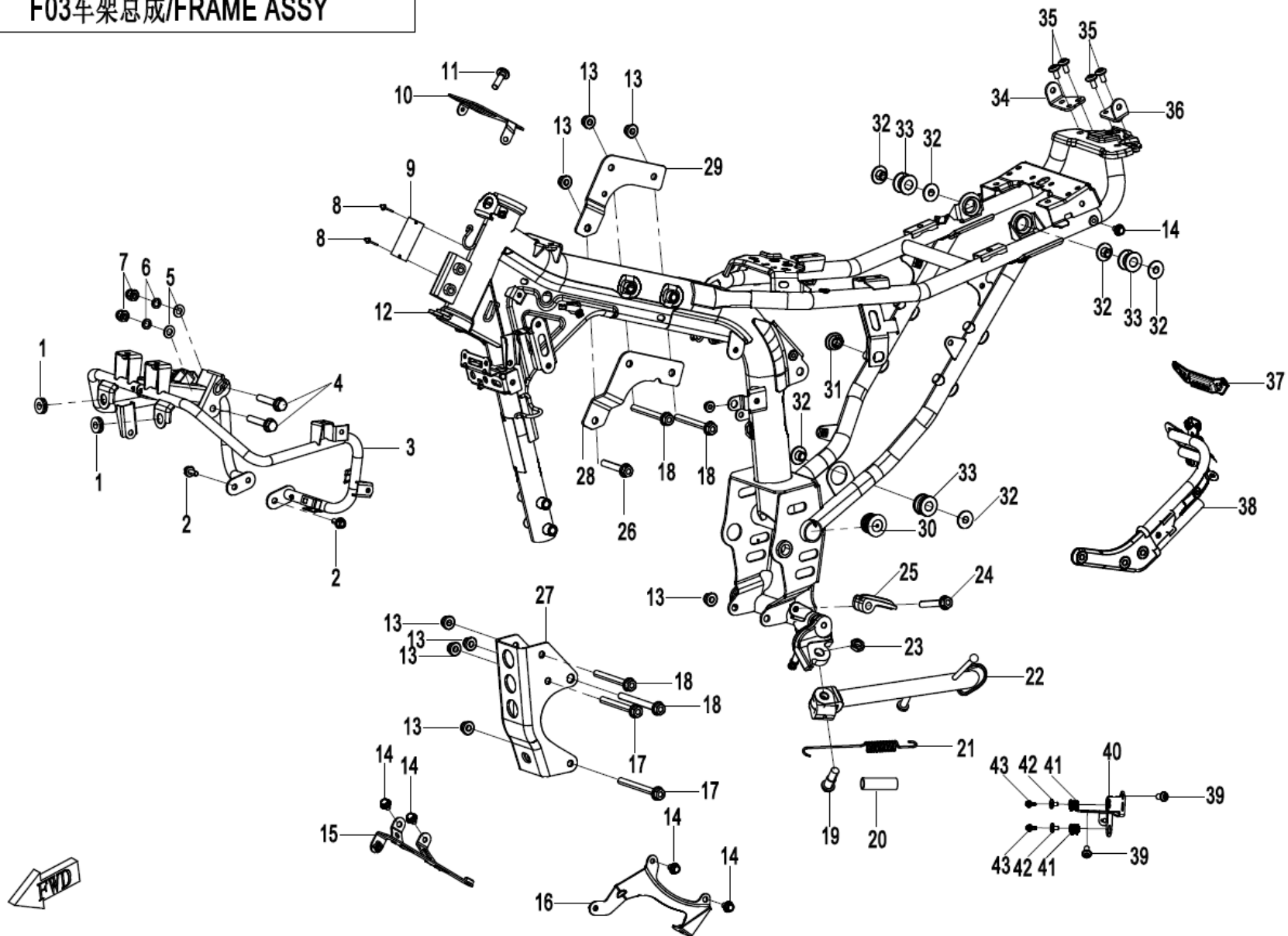
NO.	CODE	EN DESCRIPTION	QTY	REMARKS
F01-01	6FIV-011000-7101	LOCK KIT	1	
F01-02	30102-080020810	SCREW M8x20	2	
F01-03	6FIV-010010-7100	SEAT CABLE	1	
F01-04	6GU#-010320-6000	LOCK SEAT, SEAT	1	
F01-05	30006-060016810	BOLT M6x16	2	
F01-06	6FIV-011020-7100	KEY	1	

F02 MUFFLER



NO.	CODE	EN DESCRIPTION	QTY	REMARKS
F02-01	6FIV-021100-7100	EXHAUST PIPE ASSY	1	
F02-02	30102-080025810	SCREW M8x25	2	
F02-03	6KMV-176000-8400	OXYGEN SENSOR	1	
F02-04	6090-020010	GASKET, EXHAUST PORT	1	
F02-05	30006-080035810	BOLT M8x35	3	
F02-06	6WWV-020002-5000	BUSHING, MUFFLER BODY	6	
F02-07	6WWV-020003-5000	RUBBER SLEEVE, MUFFLER BODY	3	
F02-08	30204-080810	NUT M8	3	
F02-09	A000-020003	SEAL SLEEVE, GRAPHITE 2	1	
F02-10	A000-020500	CLAMP 1	1	
F02-11	6FIV-021200-7100	REAR MUFFLER BODY	1	
F02-12	30006-060012810	BOLT M6x12	1	

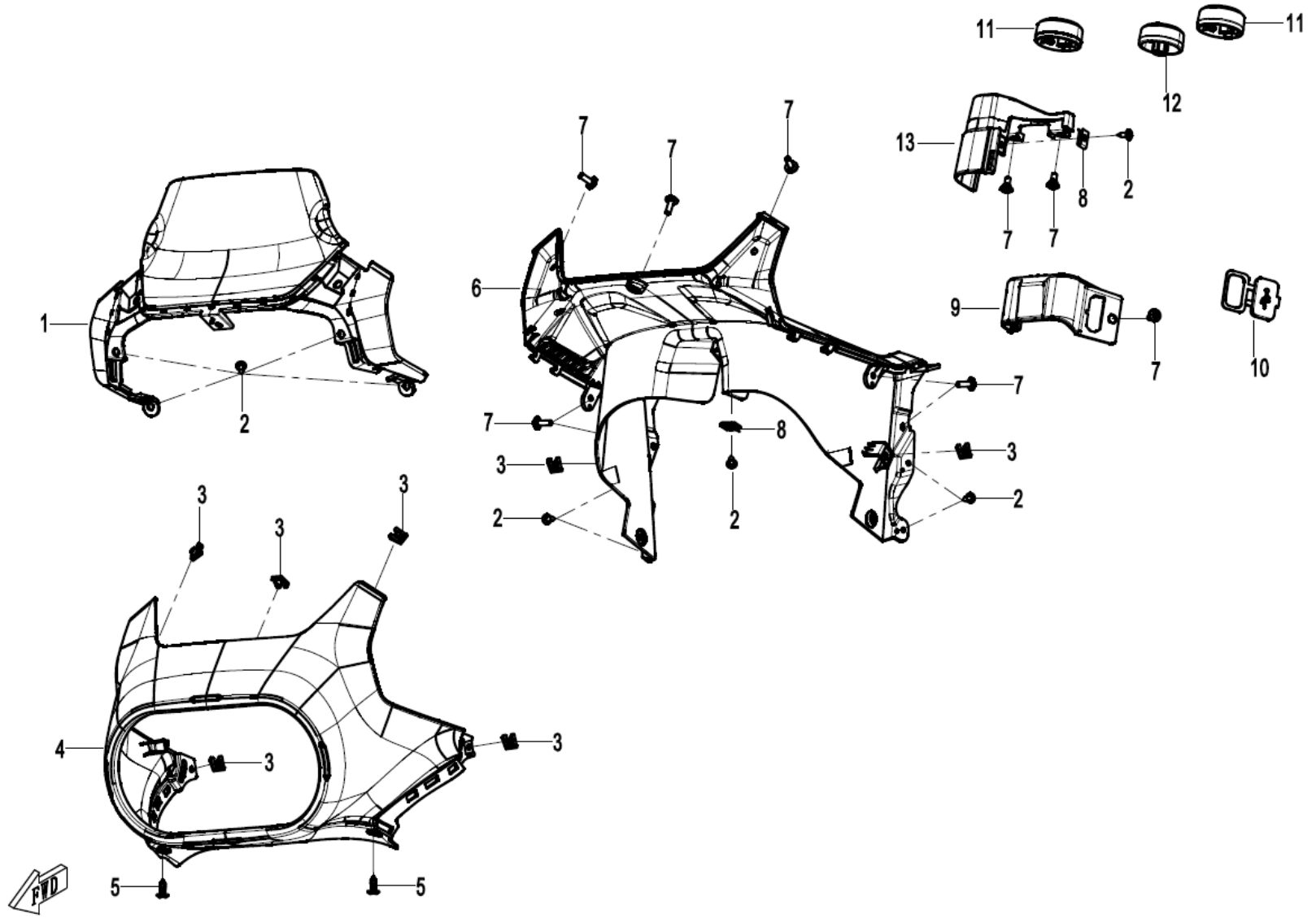
F03车架总成/FRAME ASSY



NO.	CODE	EN DESCRIPTION	QTY	REMARKS
F03-01	9010-160101	RUBBER MAT, HEADLIGHT	2	
F03-02	30006-060016810	BOLT M6x16	2	
F03-03	6FIV-030400-7101	FRONT BRACKET ASSY	1	
F03-04	30006-080045810	BOLT M8x45	2	
F03-05	30303-080112	WASHER	2	
F03-06	30306-080112	WASHER	2	
F03-07	30206-080510	NUT M8	2	
F03-10	6FIV-030001-7100	DASHBOARD BRACKET	1	
F03-11	30102-080016810	INNER HEX BOLT	1	
F03-12	6FIV-031000-7100-01	FRAME	1	
F03-13	30204-080810	NUT M8	8	
F03-14	6WV-046702-5000	INNER HEX SCREW M6x12	5	
F03-15	6FIV-030020-7100	ENGINE RH GUARD BRACKET	1	
F03-16	6FIV-030010-7100	ENGINE LH GUARD BRACKET	1	
F03-17	30006-080085810	BOLT M8x85	2	
F03-18	30006-080075810	BOLT M8x75	4	
F03-19	A000-030006	BOLT, SIDE STAND	1	
F03-20	A000-030004	SPRING COLLAR, SIDE STAND	1	
F03-21	6KMV-030060-C000	SPRING KIT, SIDE STAND	1	
F03-22	6FIV-030600-7101	SIDE STAND ASSY	1	
F03-23	30208-102010	NUT M10x1.25	1	
F03-24	30006-060035810	BOLT M6x35	1	
F03-25	6KJ0-030510	CHAIN GUARD	1	
F03-26	30006-080050810	BOLT M8x50	1	
F03-27	5280-030004-1000	FRONT SUSPENSION BRACKET, ENGINE	1	
F03-28	6FI2-030002	LH UPPER BRACKET, ENGINE	1	
F03-29	6FIV-030050-7100	ENGINE RH UPPER BRACKET	1	
F03-30	6KJ0-030503	RUBBER PLUG	2	
F03-31	8080-040064	DAMPER, FRONT FENDER	1	
F03-32	6WV-020002-5000	BUSHING, MUFFLER BODY	6	
F03-33	6WV-020003-5000	RUBBER SLEEVE, MUFFLER BODY	3	
F03-34	6FIV-030040-7100	REAR SEAT RH BRACKET	1	
F03-35	6WV-046802-5000	INNER HEX SCREW M6x16	4	

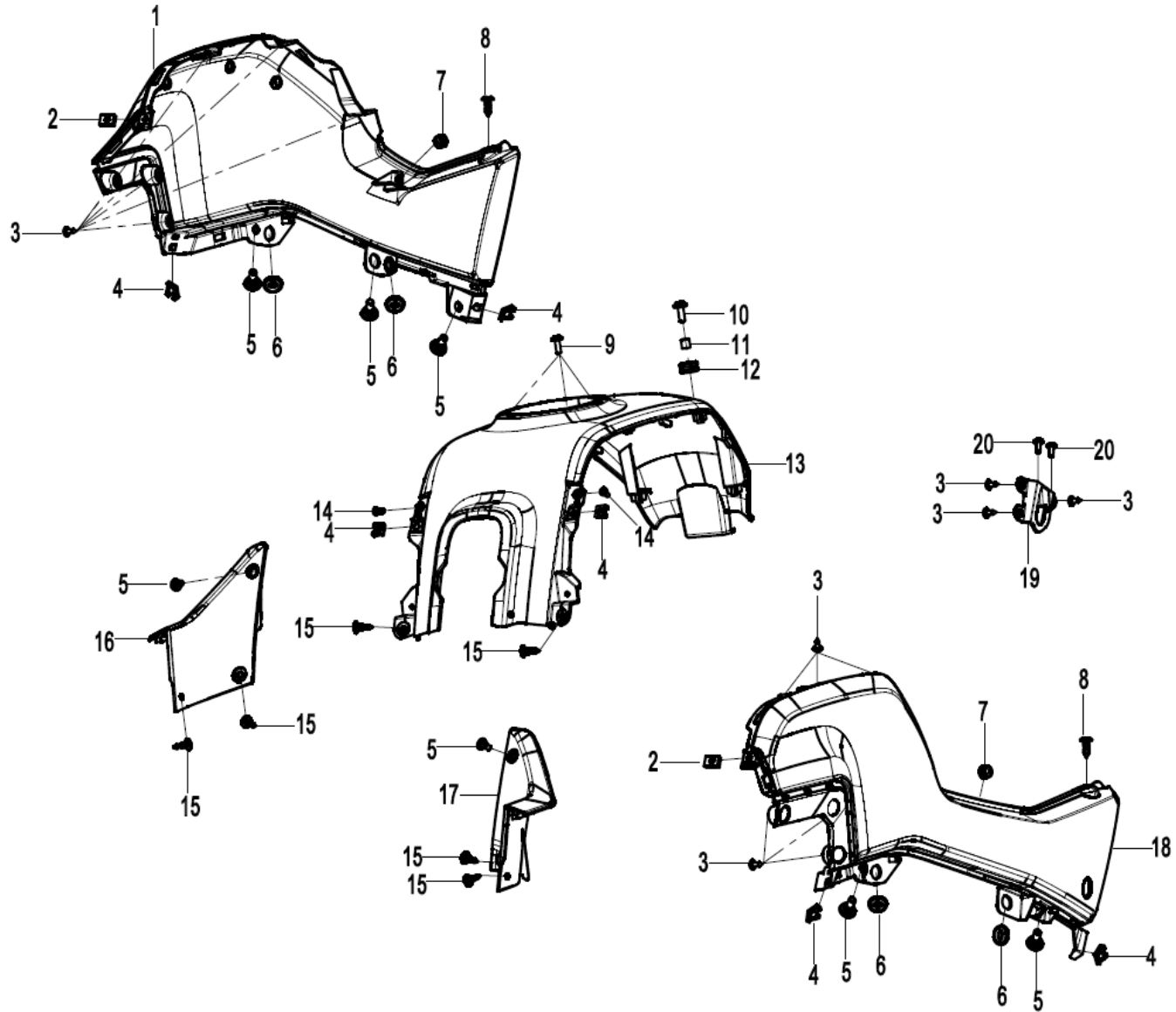
NO.	CODE	EN DESCRIPTION	QTY	REMARKS
F03-36	6FIV-030030-7100	REAR SEAT LH BRACKET	1	
F03-37	6FIV-030009-7100	REAR LICENSE BRACKET	1	
F03-38	6FIV-030300-7100	REAR FENDER	1	
F03-39	30006-060010810	BOLT M6x10	4	
F03-40	6FIV-030002-7000	ABS BRACKET	1	ABS
F03-41	6WWV-030019-5000	RUBBER BUSHING	2	
F03-42	6AQV-021002-1000	BUSHING	2	
F03-43	30006-060022810	BOLT	2	

F04-1 塑料件 I / PLASTICS I



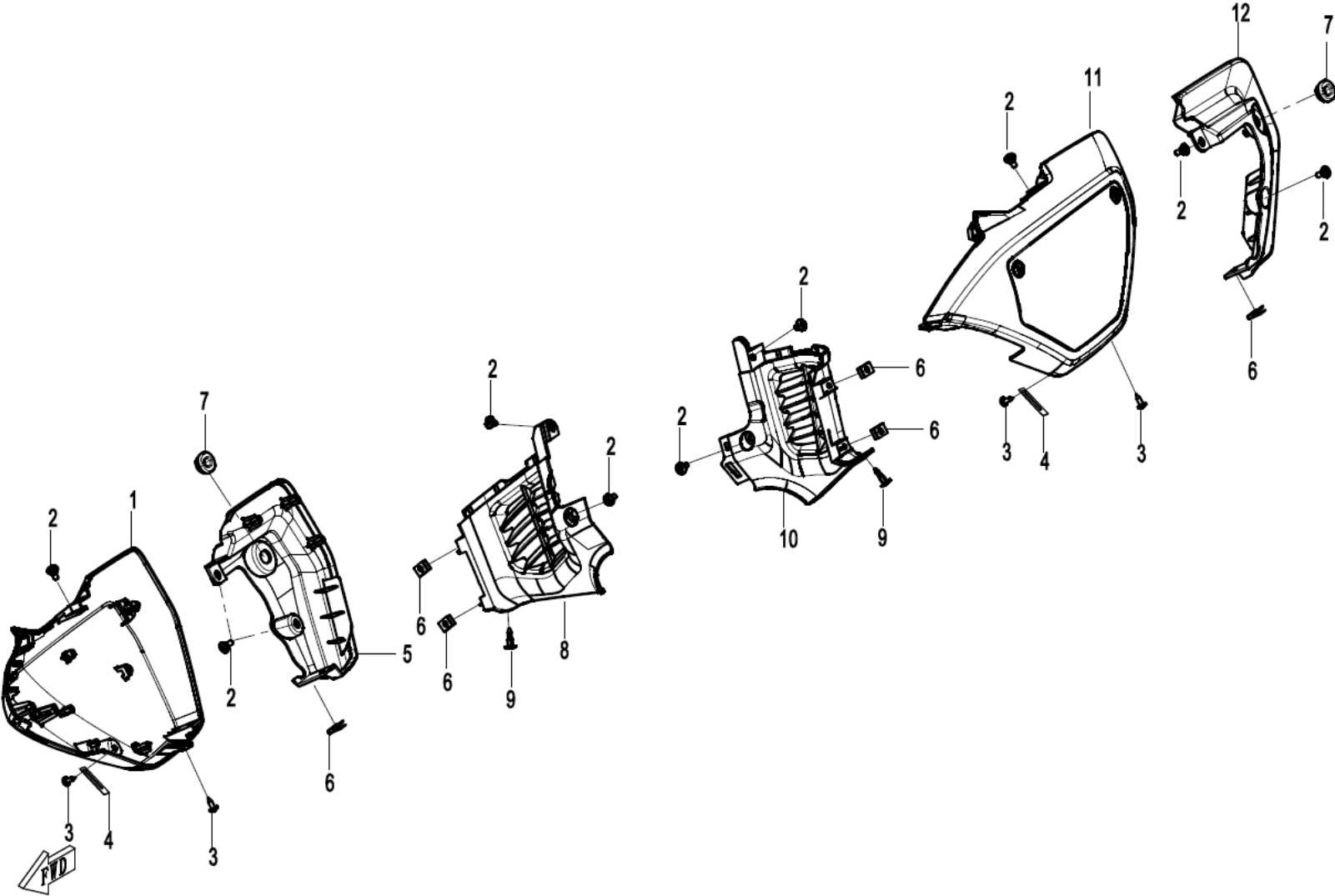
NO.	CODE	EN DESCRIPTION	QTY	REMARKS
F04-1-01	6FIV-041603-7100	WINDSHIELD	1	
F04-1-02	30110-421130010	SCREW	11	
F04-1-03	6KM#-040081-8000-M1	NUT CLIP M5	7	
F04-1-04	6FIV-041601-7100-0VE00	HEADLIGHT PANEL (WHITE)	1	NEBULA WHITE
F04-1-04	6FIV-041601-7100-0RM00	HEADLIGHT PANEL (RED)	1	MAGMA RED
F04-1-04	6FIV-041601-7100-0GB00	HEADLIGHT PANEL (GREEN)	1	SPRUCE GREEN
F04-1-05	8080-041130	PLASTIC SCREW	2	
F04-1-06	6FIV-041602-7100	HEADLIGHT BRACKET	1	
F04-1-07	6WVW-047102-5000	INNER HEX SCREW M5x14	8	
F04-1-08	8010-000002	TOOL	2	
F04-1-09	6FIV-040104-7100	DASHBOARD LOWER GUARD	1	
F04-1-10	6AQV-041117-1002	USB PLUG COVER	1	
F04-1-11	6FIV-040511-7100	FRONT SHOCK ABSORBER UPPER LID	2	
F04-1-12	6FIV-040512-7100	PIPE UPPER LID	1	
F04-1-13	6FIV-040101-7100	IGNITION LOCK GUARD	1	

F04-2塑料件II/PLASTICS II



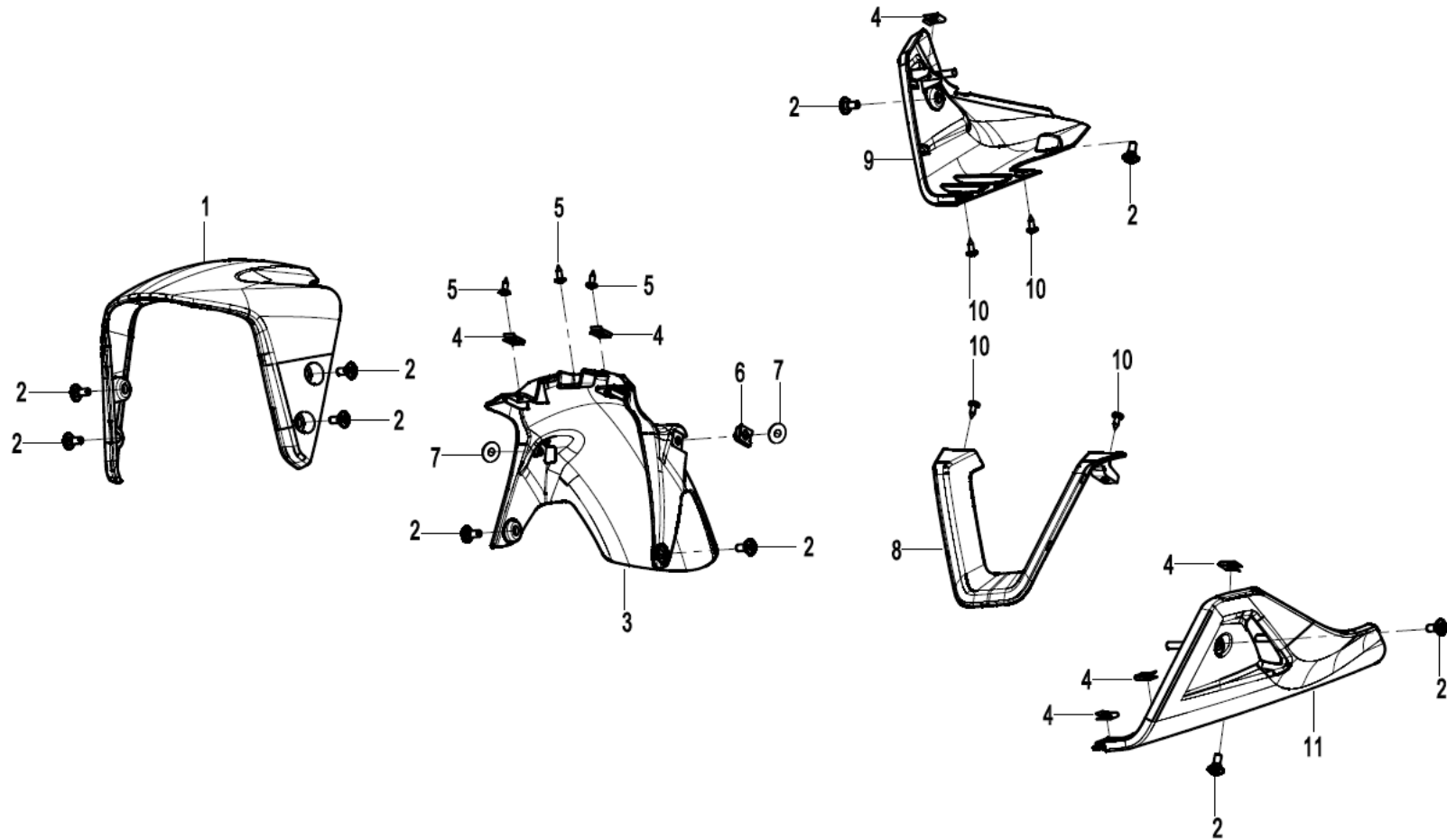
NO.	CODE	EN DESCRIPTION	QTY	REMARKS
F04-2 -01	6FIV-041203-7100-0VY00	FUEL TANK RH PANEL (RED)	1	NEBULA WHITE+LAVA REDISH PINK
F04-2 -01	6FIV-041203-7100-0VE00	FUEL TANK RH PANEL (WHITE)	1	NEBULA WHITE
F04-2 -01	6FIV-041203-7100-0GB00	FUEL TANK RH PANEL (GREEN)	1	SPRUCE GREEN
F04-2 -02	8010-000002	TOOL	2	ST4.2
F04-2 -03	30110-421130010	SCREW	15	ST4.2x13
F04-2 -04	6KM#-040081-8000-M1	NUT CLIP M5	6	
F04-2 -05	6WWV-046502-5000	STEPPED SCREW M5	7	
F04-2 -06	6FIV-040401-7100	RUBBER HEAD	4	
F04-2 -07	6WWV-045801-5000	RUBBER	2	
F04-2 -08	9060-040310	PLASTIC CLIPS	2	
F04-2 -09	6WWV-047102-5000	INNER HEX SCREW M5x14	3	
F04-2 -10	6WWV-046802-5000	INNER HEX SCREW M6x16	1	
F04-2 -11	6090-040302	RUBBER DAMPER	1	
F04-2 -12	6090-040303	BUSHING	1	
F04-2 -13	6FIV-041201-7101-0GB00	UPPER PANEL, FUEL TANK (GREEN)	1	SPRUCE GREEN
F04-2 -13	6FIV-041201-7101-0RM00	UPPER PANEL, FUEL TANK (RED)	1	MAGMA RED
F04-2 -13	6FIV-041201-7101-0VE00	UPPER PANEL, FUEL TANK (WHITE)	1	NEBULA WHITE
F04-2 -14	30110-420095010	SELF-TAPPING SCREW ST4.2x9.5	2	ST4.2x9.5
F04-2 -15	8080-041130	PLASTIC SCREW	6	
F04-2 -16	6FIV-041205-7100	RH FRONT PANEL	1	
F04-2 -17	6FIV-041204-7100	LH FRONT PANEL	1	
F04-2 -18	6FIV-041202-7100-0VY00	FUEL TANK LH PANEL (RED)	1	NEBULA WHITE+LAVA REDISH PINK
F04-2 -18	6FIV-041202-7100-0VE00	FUEL TANK LH PANEL (WHITE)	1	NEBULA WHITE
F04-2 -18	6FIV-041202-7100-0GB00	FUEL TANK LH PANEL (GREEN)	1	SPRUCE GREEN
F04-2 -19	6FIV-040102-7100	SEAT LOCK BRACKET	1	
F04-2 -20	30105-050012410	SCREW M5x12	2	M5x12

F04-3塑料件III/PLASTICS III



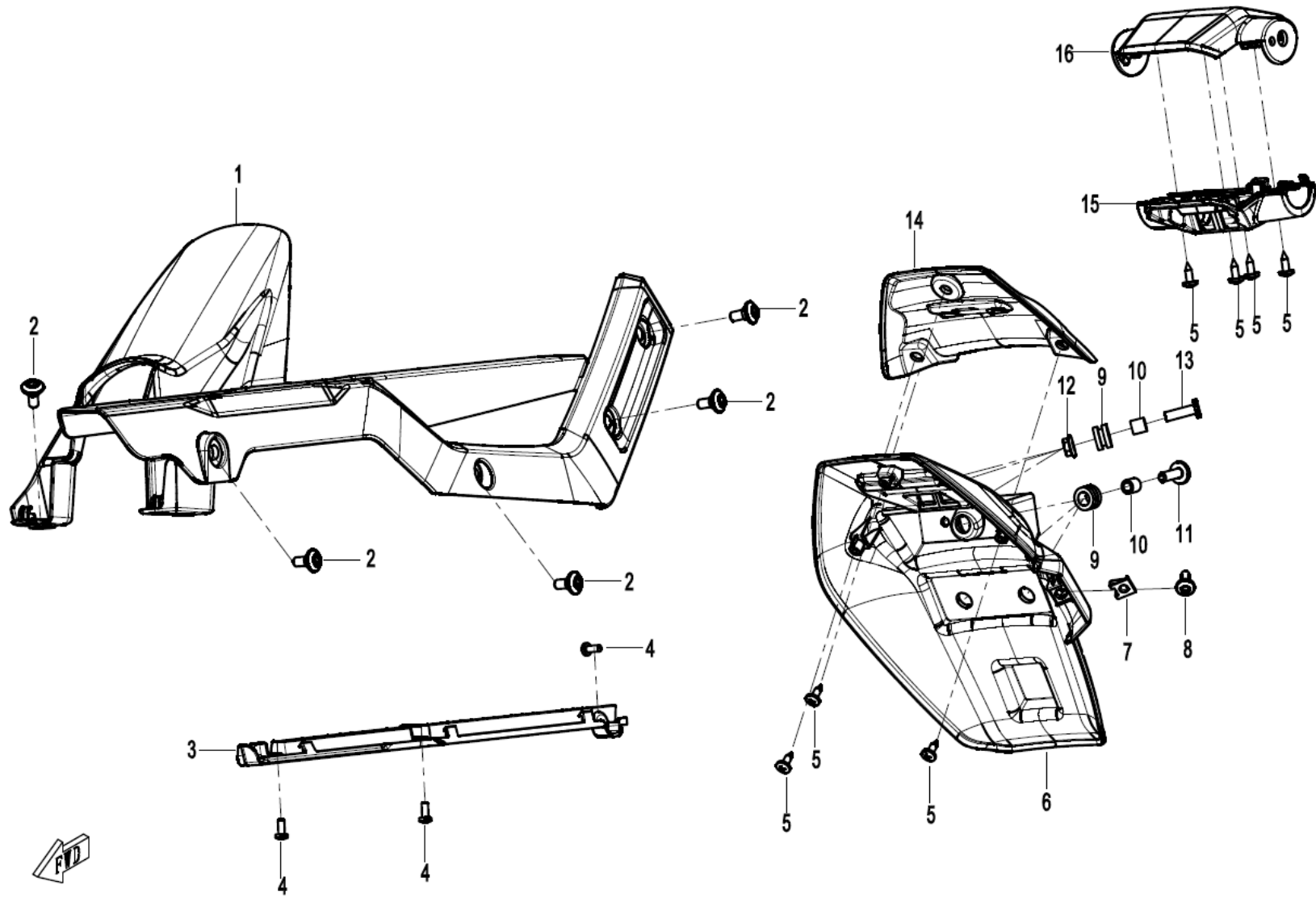
NO.	CODE	EN DESCRIPTION	QTY	REMARKS
F04-3-01	6FIV-040302-7100-0VE00	RH FRONT PANEL (NEBULA WHITE)	1	
F04-3-01	6FIV-040302-7100-0GB00	RH FRONT PANEL (SPRUCE GREEN)	1	
F04-3-02	6WWV-046502-5000	STEPPED SCREW M5	10	
F04-3-03	30110-421130010	SCREW	4	
F04-3-04	0180-014010	WIRE CLIP	2	
F04-3-05	6FIV-040308-7100-0BU00	RH FRONT PANEL DECO PART(MIST SILVER BLACK)	1	MIST SILVER BLACK
F04-3-05	6FIV-040308-7100-0RM00	RH FRONT PANEL DECO PART(MAGMA RED)	1	
F04-3-05	6FIV-040308-7100-0G700	RH FRONT PANEL DECO PART (LEMON GREEN)	1	
F04-3-06	8010-000002	TOOL	6	
F04-3-07	6FIV-040401-7100	RUBBER HEAD	2	
F04-3-08	6FIV-040310-7101	PIPE RH LOWER PLATE	1	
F04-3-09	8080-041130	PLASTIC SCREW	2	
F04-3-10	6FIV-040309-7101	PIPE LH LOWER PLATE	1	
F04-3-11	6FIV-040301-7100-0VE00	LH FRONT PANEL (NEBULA WHITE)	1	
F04-3-11	6FIV-040301-7100-0GB00	LH FRONT PANEL(SPRUCE GREEN)	1	
F04-3-12	6FIV-040307-7100-0RM00	LH FRONT PANEL DECO PART(MAGMA RED)	1	
F04-3-12	6FIV-040307-7100-0G700	LH FRONT PANEL DECO PART(LEMON GREEN)	1	
F04-3-12	6FIV-040307-7100-0BU00	LH FRONT PANEL DECO PART(MIST SILVER BLACK)	1	

F04-4塑料件IV/PLASTICS IV

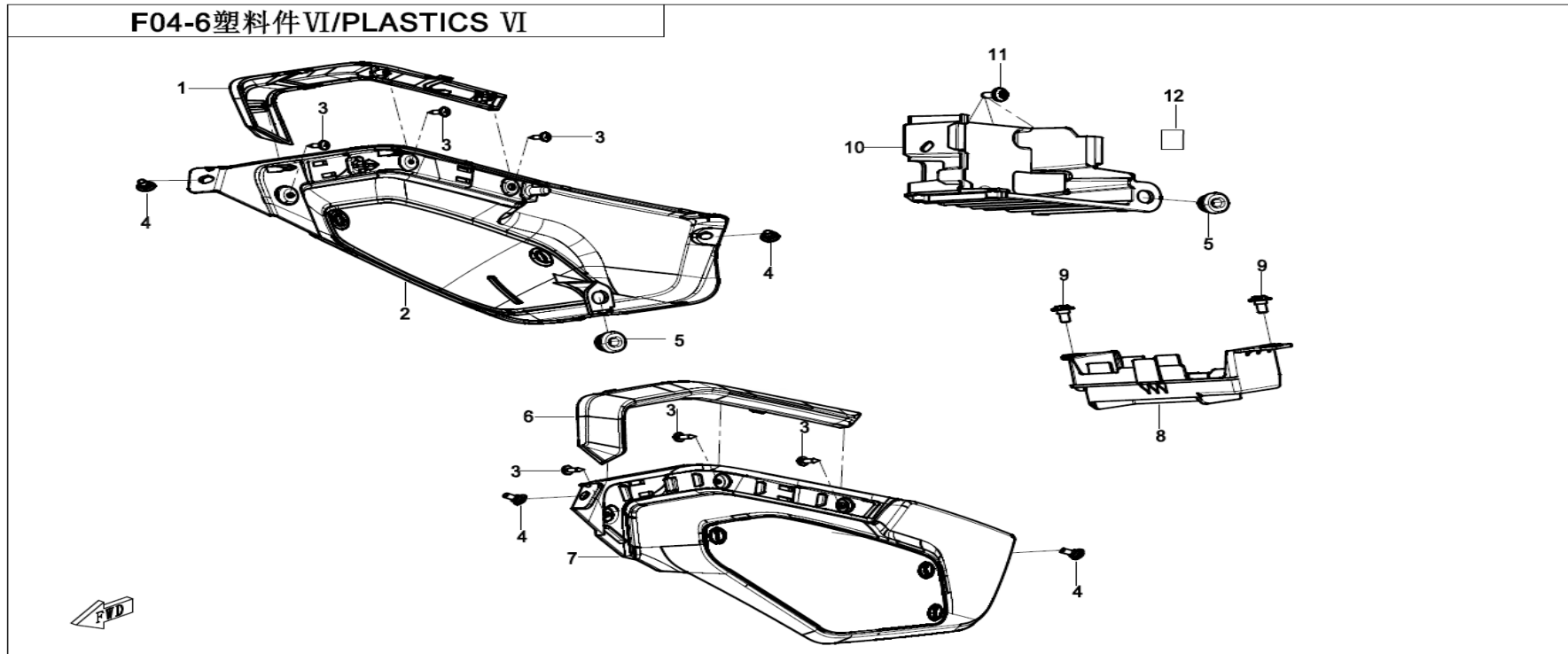


NO.	CODE	EN DESCRIPTION	QTY	REMARKS
F04-4-01	6FIV-040501-7100-0BU00	FRONT FENDER FRONT PART (MIST SILVER BLACK)	1	
F04-4-01	6FIV-040501-7100-0VE00	FRONT FENDER FRONT PART (NEBULA WHITE)	1	
F04-4-02	6WWV-046602-5000	INNER HEX STEPPED SCREW M6x14	10	
F04-4-03	6FIV-040502-7100	FRONT FENDER REAR PART	1	
F04-4-04	8010-000002	TOOL	6	
F04-4-05	30110-421130010	SCREW	3	
F04-4-06	8030-040800-00001	NUT CLIP M6	1	
F04-4-07	30305-060112	WASHER	2	
F04-4-08	6FIV-040001-7100	ENGINE FRONT PANEL	1	
F04-4-09	6FIV-040003-7100-0VE00	ENGINE RH LOWER PANEL (NEBULA WHITE)	1	
F04-4-09	6FIV-040003-7100-0GB00	ENGINE RH LOWER PANEL (SPRUCE GREEN)	1	
F04-4-09	6FIV-040003-7100-0BU00	ENGINE RH LOWER PANEL (MIST SILVER BLACK)	1	
F04-4-10	30110-420160070	SCREW	4	
F04-4-11	6FIV-040002-7100-0VE00	ENGINE LH LOWER PANEL (NEBULA WHITE)	1	
F04-4-11	6FIV-040002-7100-0GB00	ENGINE LH LOWER PANEL (SPRUCE GREEN)	1	
F04-4-11	6FIV-040002-7100-0BU00	ENGINE LH LOWER PANEL (MIST SILVER BLACK)	1	

F04-5塑料件 V/PLASTICS V

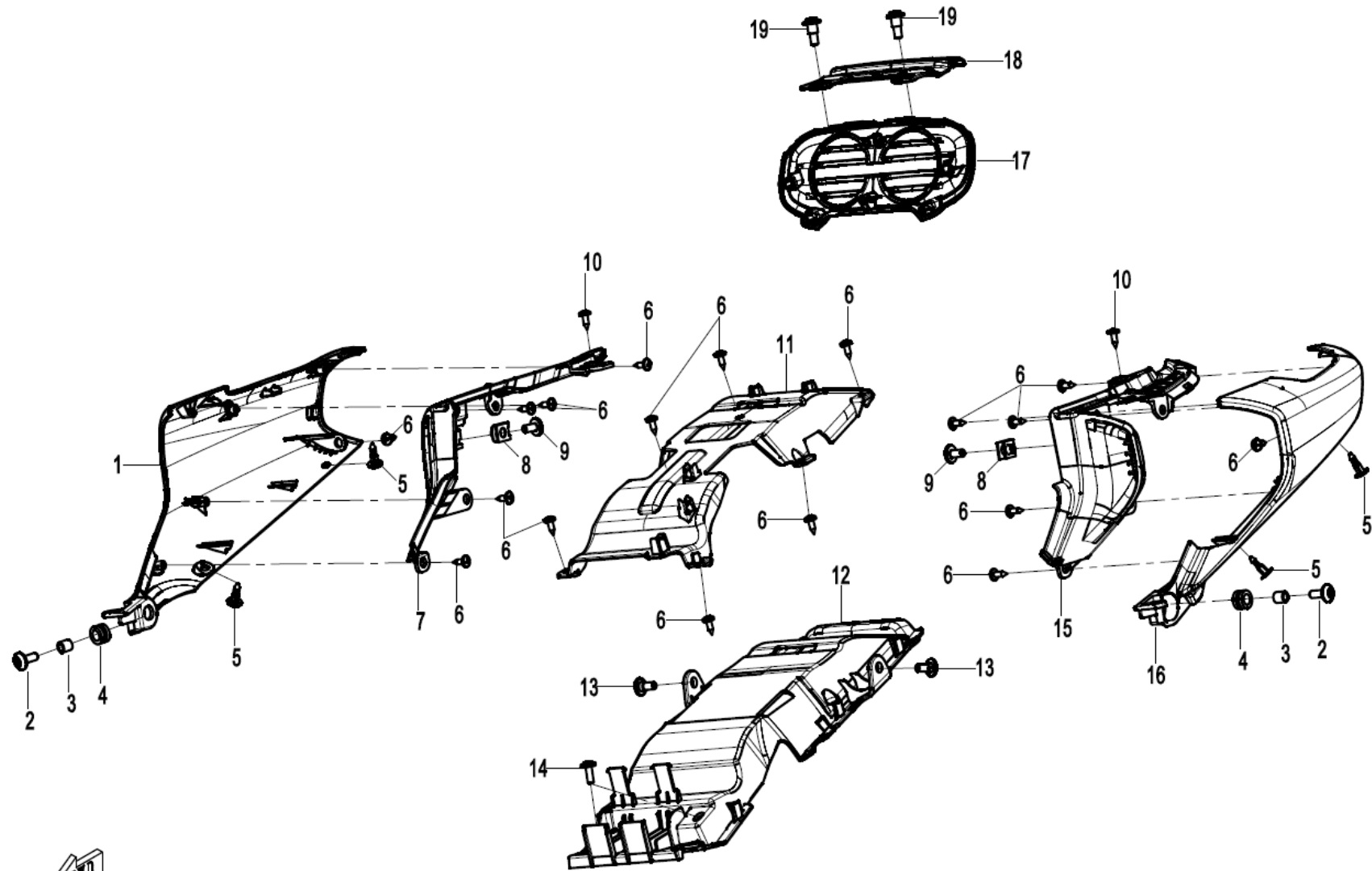


NO.	CODE	EN DESCRIPTION	QTY	REMARKS
F04-5-01	6FIV-040601-7100	REAR INNER FENDER	1	
F04-5-02	6WV-046602-5000	INNER HEX STEPPED SCREW M6x14	5	
F04-5-03	6FIV-040602-7101	INNER COVER, REAR INNER FENDER	1	
F04-5-04	30118-420095010	SELF-TAPPING SCREW ST4.2x9.5	3	
F04-5-05	30110-421130010	SCREW	7	
F04-5-06	6FIV-040611-7100	REAR FENDER	1	
F04-5-07	6KM#-040081-8000-M1	NUT CLIP M5	1	
F04-5-08	6WV-047102-5000	INNER HEX SCREW M5x14	1	
F04-5-09	6KM#-040302-8000	DAMPING RUBBER SLEEVE	6	
F04-5-10	6090-040303	BUSHING	6	
F04-5-11	6WV-046902-5000	INNER HEX SCREW M6x20	3	
F04-5-12	30204-060810	NUT M6	3	
F04-5-13	6WV-047102-5000	INNER HEX SCREW M5x14	3	
F04-5-14	6FIV-040612-7100	REAR FENDER INNER COVER	1	
F04-5-15	6FIV-041512-7100	LISENCE PLATE LIGHT LOWER COVER	1	
F04-5-16	6FIV-041511-7100	LISENCE PLATE LIGHT UPPER COVER	1	



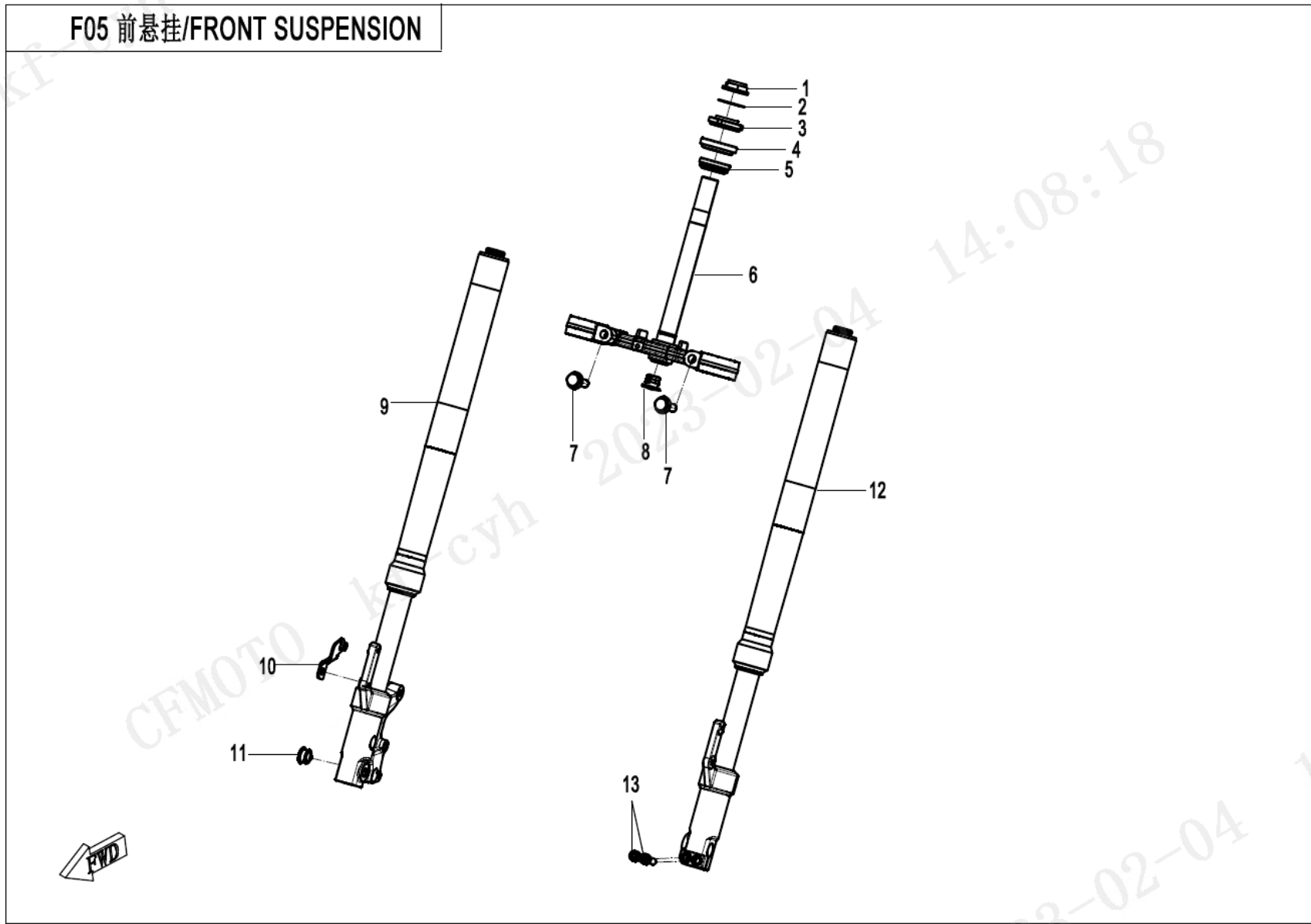
NO.	CODE	EN DESCRIPTION	QTY	REMARKS
F04-6-01	6FIV-040314-7100-0VR00	RH SIDE COVER DECO PART	1	
F04-6-02	6FIV-040312-7100	RH SIDE COVER	1	
F04-6-03	30110-421130010	SCREW	6	
F04-6-04	6WWV-046502-5000	STEPPED SCREW M5	4	
F04-6-05	6FIV-040401-7100	RUBBER HEAD	2	
F04-6-06	6FIV-040313-7100-0VR00	LH SIDE COVER DECO PART	1	
F04-6-07	6FIV-040311-7100	LH SIDE COVER	1	
F04-6-08	6FIV-041501-7100	ELECTRIC APPLIANCE BOX	1	
F04-6-09	6WWV-046602-5000	INNER HEX STEPPED SCREW M6x14	2	
F04-6-10	6FIV-041502-7100	BATTERY BOX	1	
F04-6-11	6WWV-046702-5000	INNER HEX SCREW M6x12	3	
F04-6-12	9010-120008	FUEL TANK SPONGE	5	

F04-7塑料件VII/PLASTICS VII



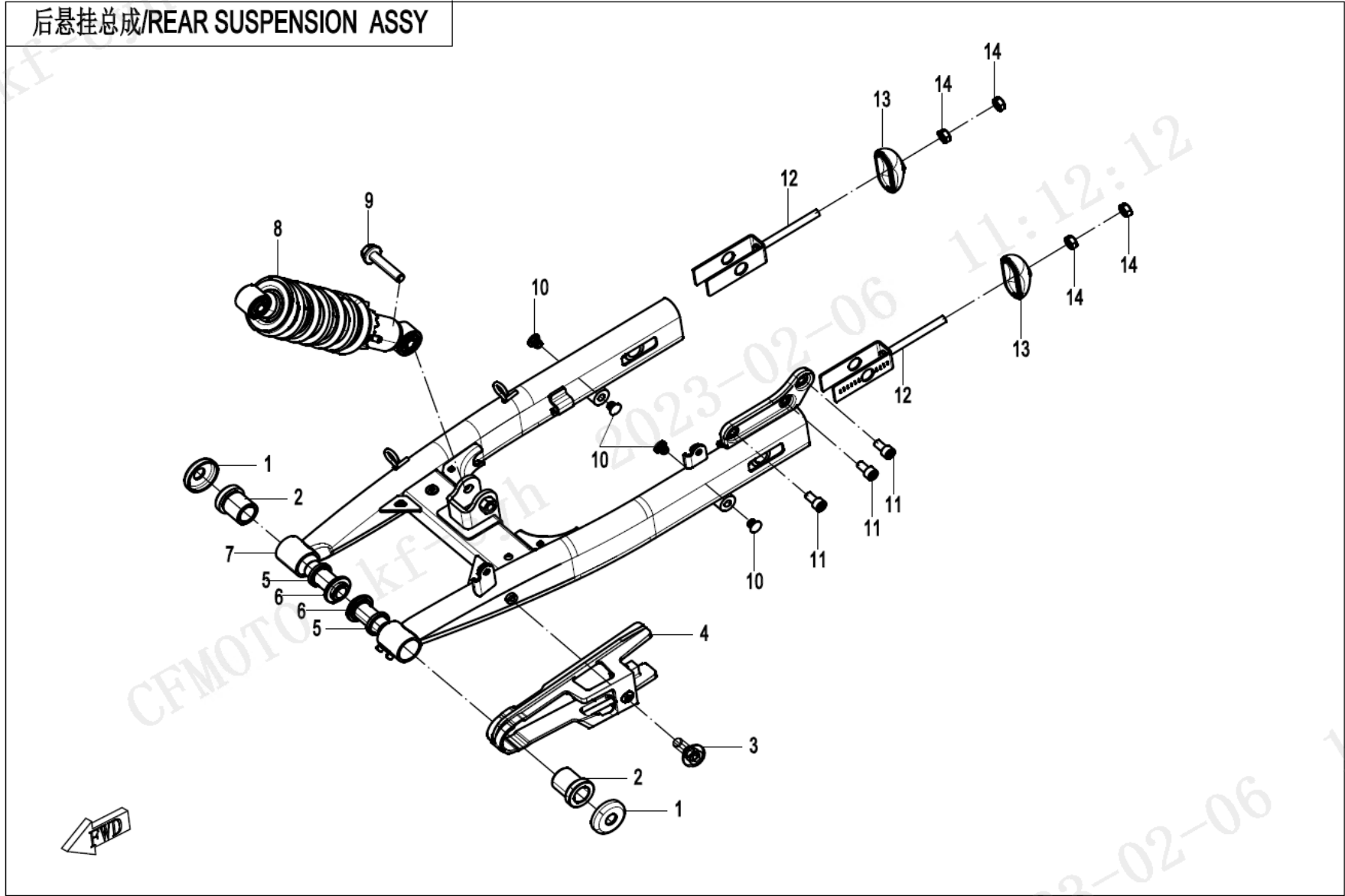
NO.	CODE	EN DESCRIPTION	QTY	REMARKS
F04-7-01	6FIV-041614-7100-0VE00	TAILLIGHT RH PANEL	1	NEBULA WHITE
F04-7-02	6WWV-046802-5000	INNER HEX SCREW M6x16	2	
F04-7-03	6090-040303	BUSHING	2	
F04-7-04	6KM#-040302-8000	DAMPING RUBBER SLEEVE	2	
F04-7-05	8080-041130	PLASTIC SCREW	4	
F04-7-06	30110-421130010	SCREW	18	ST4.2x13
F04-7-07	6FIV-041617-7100	TAIL LIGHT RH PANEL DECO PARTS	1	
F04-7-08	8030-040800-00001	NUT CLIP M6	2	M6
F04-7-09	6WWV-046702-5000	INNER HEX SCREW M6x12	2	
F04-7-10	30110-420095010	SELF-TAPPING SCREW ST4.2x9.5	2	ST4.2x9.5
F04-7-11	6FIV-040321-7100	REAR FRAME BASE	1	
F04-7-12	6FIV-040322-7100	REAR FRAME PLATE	1	
F04-7-13	6WWV-046602-5000	INNER HEX STEPPED SCREW M6x14	2	
F04-7-14	6WWV-047102-5000	INNER HEX SCREW M5x14	2	
F04-7-15	6FIV-041616-7100	TAIL LIGHT LH PANEL DECO PARTS	1	
F04-7-16	6FIV-041613-7100-0VE00	TAILLIGHT LH PANEL	1	NEBULA WHITE
F04-7-17	6FIV-041611-7100	TAIL LIGHT GUARD	1	
F04-7-18	6FIV-041615-7100-0VE00	TAILLIGHT UPPER PANEL	1	NEBULA WHITE
F04-7-19	6NQ#-000202-6001	BOLT	2	

F05 前悬挂/Front Suspension



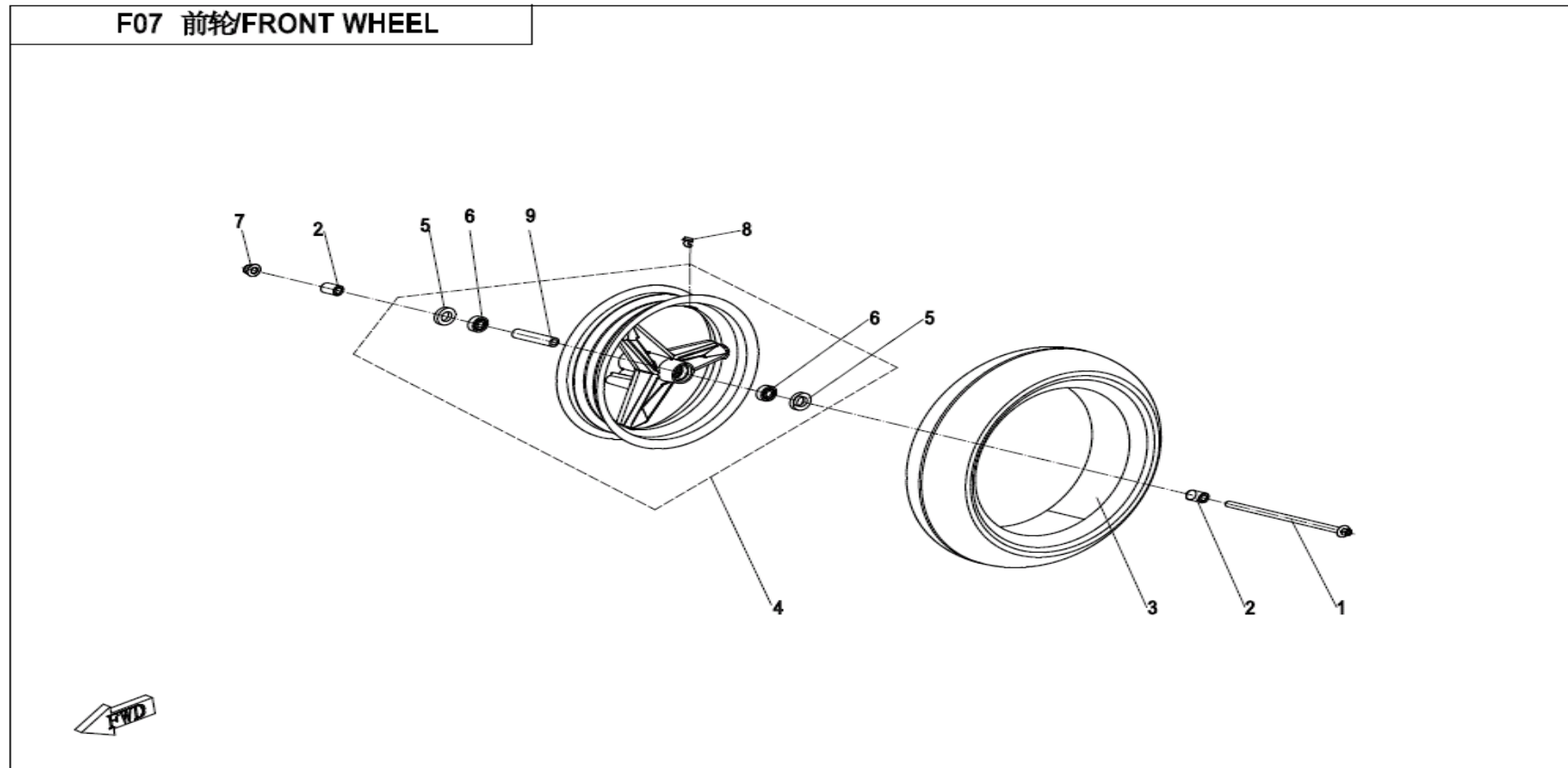
NO.	CODE	EN DESCRIPTION	QTY	REMARKS
F01-01	0180-062107-00001	LOCK NUT, BEVEL GEAR	1	
F01-02	8030-050006	GASKET, UPPER TRIPLE CLAMP	1	
F01-03	5280-050004	LOCK NUT	1	
F01-04	5280-050110	STEEL BALL ASSY	1	
F01-04	5280-050101	CIRCLIP, UPPER BEARING	1	
F01-04	5280-050102	BEARING RACE	1	
F01-05	5280-050202	LOWER BEARING CIRCLIP	1	
F01-05	5280-050102	BEARING RACE	1	
F01-05	5280-050110	STEEL BALL ASSY	1	
F01-06	6FIV-050300-7000	LOWER TRIPLE CLAMP, FRONT FORK PIPE	1	
F01-07	30006-102035810	BOLT M10x1.25x35	2	
F01-08	6FIV-050011-7000	RUBBER PLUG	1	
F01-09	6FIV-050200-7100-M1	FRONT RH SHOCK ABSORBER	1	
F01-10	6FIV-050030-7100	FRONT FENDER REAR RH BRACKET ASSY	1	
F01-11	6FIV-050401-7000	RUBBER PLUG	1	NO ABS
F01-12	6FIV-050100-7100-M1	FRONT LH SHOCK ABSORBER	1	
F01-13	30102-080030810	SCREW	2	M8x30

后悬挂总成/REAR SUSPENSION ASSY



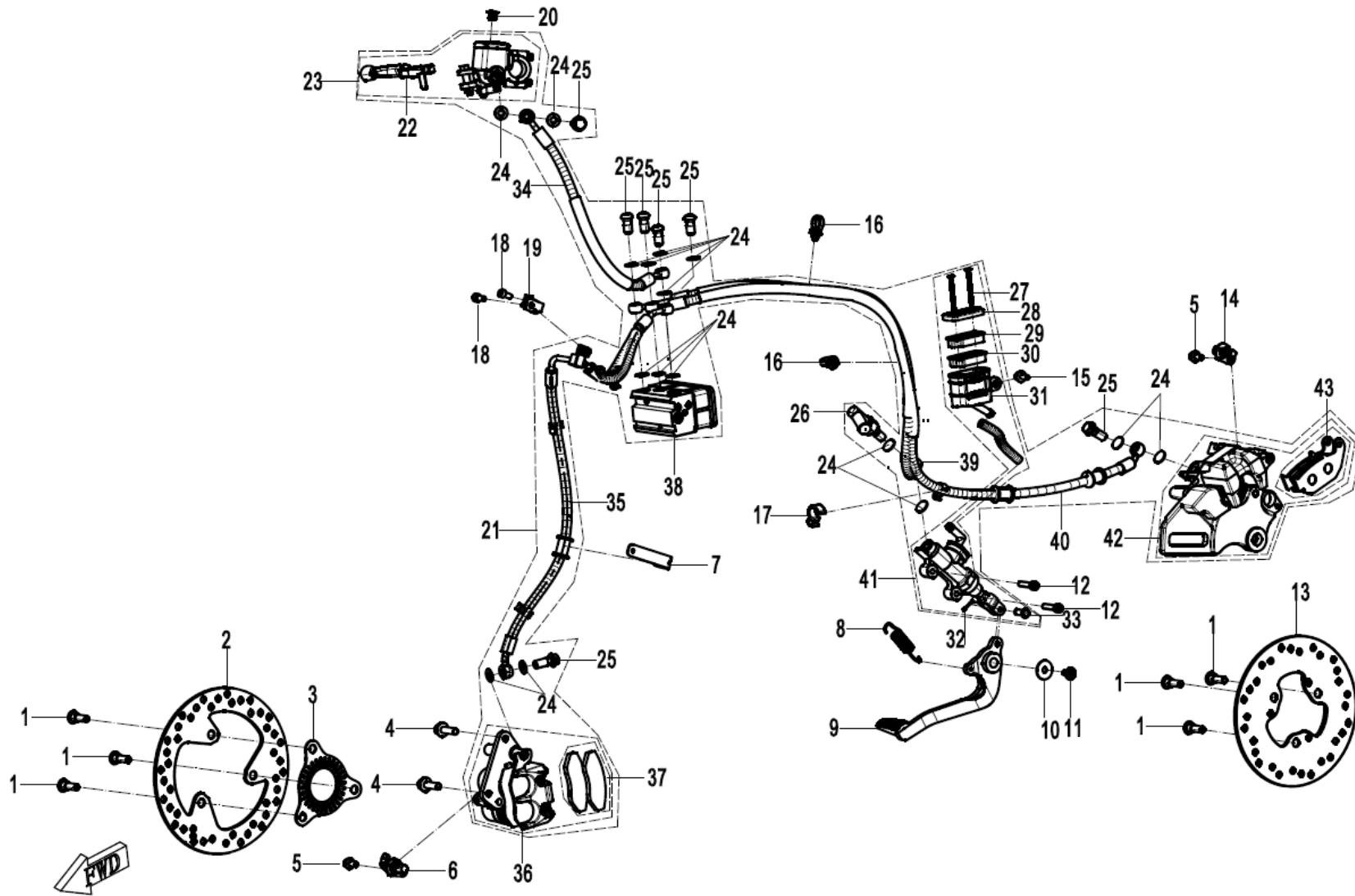
NO.	CODE	EN DESCRIPTION	QTY	REMARKS
F06-01	6KMV-060010-8001	DUST BOOT COVER 1, REAR SWING ARM	2	
F06-02	6100-060008	OUTER BUSHING, REAR SWING ARM	2	
F06-03	6WWV-046602-5000	INNER HEX STEPPED SCREW M6x14	1	
F06-04	6FIV-060001-7001	CHIAN GUARD	1	
F06-05	6090-060005	ANTI-DUST RING	2	
F06-06	6KJ0-060004-00001	RH INNER BUSHING, REAR FORK	2	
F06-07	6FIV-060300-7000	REAR FORK	1	
F06-08	6FIV-060100-7100-M1	REAR SHOCK ABSORBER	1	
F06-09	30006-102050810	BOLT M10x1.25x50	1	
F06-10	6KM#-100002-8000	PLUG	4	
F06-11	30102-080016810	INNER HEX BOLT	3	
F06-12	6FIV-060020-7000	CHAIN ADJUSTER ASSY	2	
F06-13	A000-060201-0BB0	CAP, CHAIN ADJUSTER	2	PLASTIC POWDER
F06-14	30200-080810	NUT M8	4	

F07 FRONT WHEEL



NO.	CODE	EN DESCRIPTION	QTY	REMARKS
F07-01	6FIV-070001-7100	FRONT WHEEL SHAFT	1	
F07-02	6KJ0-070002	COLLAR, FRONT WHEEL AXLE	2	
F07-03	30704-1209	TIRE	1	
F07-04	6FIV-070100-7100-0B200	FRONT RIM ASSY	1	
F07-05	6KJV-070103-8000	OIL SEAL	1	
F07-06	30400-01280	BEARING (6201-2RS)	2	
F07-07	30204-122810	NUT M12x1.25	1	
F07-08	5190-070030-1000	VALVE, INFLATION	1	
F07-09	6FIV-070102-6000	MIDDLE BUSHING, FRONT RIM	1	

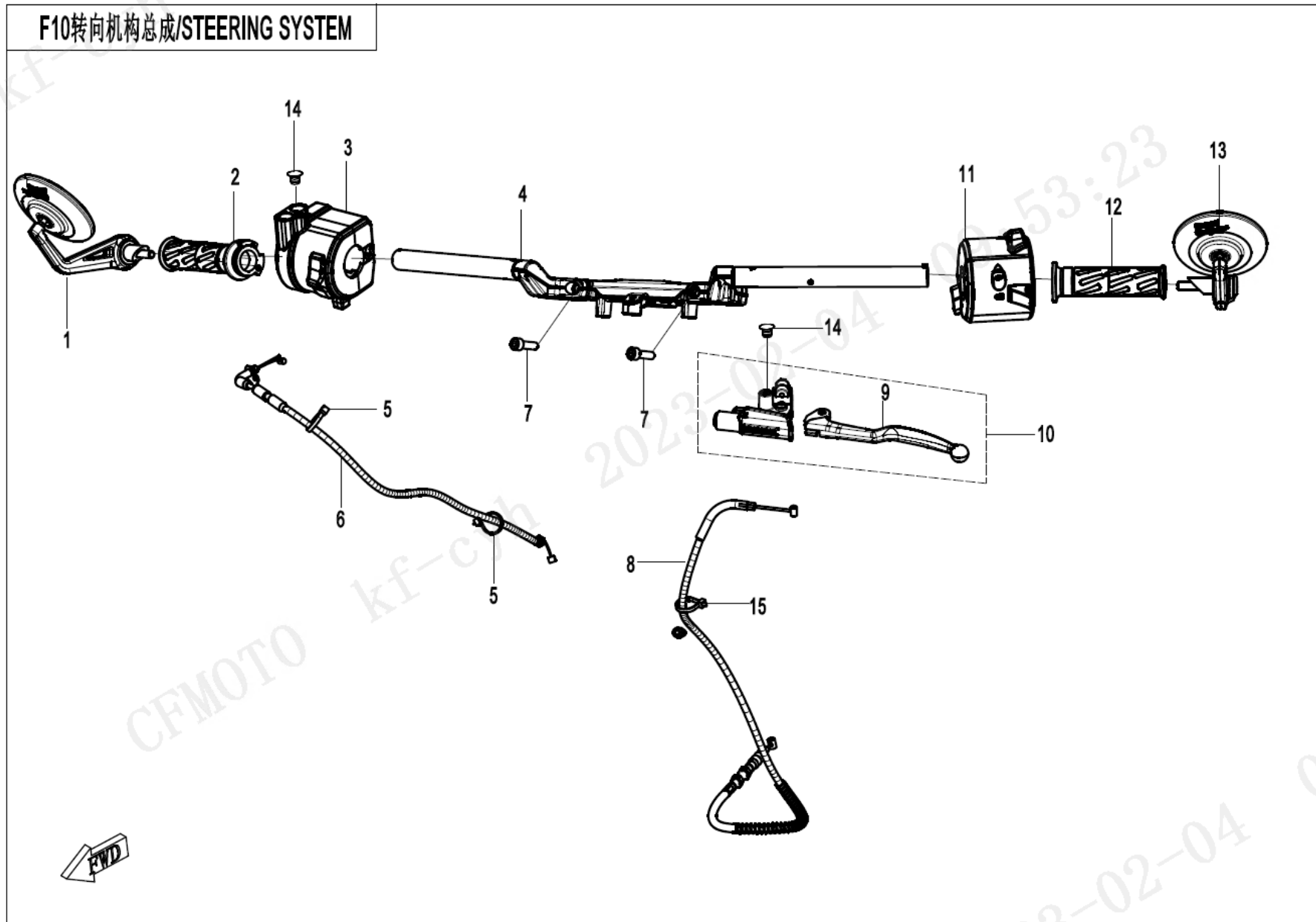
液压制动总成 / HYDRAULIC BRAKE ASSY



NO.	CODE	EN DESCRIPTION	QTY	REMARKS
F08-A-01	8010-080118	BOLT, BRAKE DISC	6	
F08-A-02	6F13-080001	FRONT BRAKE DISC	1	
F08-A-03	6FIV-080003-7000	FRONT GEAR RING	1	
F08-A-04	30006-080025870	BOLT M8x25	2	
F08-A-05	30006-060012870	BOLT M6x12	2	
F08-A-06	6FIV-080004-7000-M1	SPEED SENSOR (FRONT)	1	
F08-A-07	6FIV-080006-7100	BRAKE FLUID CLIP 2	1	
F08-A-08	6F13-080003	RETURN SPRING, REAR BRAKE	1	
F08-A-09	6FIV-080300-7100	REAR BRAKE PEDAL ASSY	1	
F08-A-10	A000-080006-10000	WASHER 1	1	
F08-A-11	6WV-046702-5000	INNER HEX SCREW M6x12	1	
F08-A-12	30102-060025810	SCREW M6x25	2	
F08-A-13	6FIV-080010-7000	REAR BRAKE DISC ASSY	1	
F08-A-14	6NTV-080004-4101-M1	SPEED SENSOR (REAR)	1	
F08-A-15	30006-060012810	BOLT M6x12	1	
F08-A-17	EAEV-080006-1000	WIRE CLIP, BRAKE FLUID HOSE	6	
F08-A-18	30102-060012810	SCREW	2	
F08-A-19	6FIV-080007-7000	BRAKE FLUID BRACKET	1	
F08-A-20	6KM#-100002-8000	PLUG	1	
F08-A-21	6FIV-081000-7001-M1	MAB HYDRAULIC BRAKE ASSY	1	
F08-A-22	6KMV-081100-B100-M1	HAND BRAKE PUMP ASSY	1	
F08-A-23	6KMV-081100-B000-20	BRAKE LEVER	1	
F08-A-24	6KM#-081000-8100-20	REATAINER	16	
F08-A-25	6KM#-080103-8101	BOLT, FUEL PIPE	7	
F08-A-26	6KMV-081700-C000-M1	HYDRAULIC SENSOR SWITCH	1	
F08-A-27	A000-080229-2000	SCREW, FLUID RESERVOIR CAP	2	
F08-A-28	6KM0-091201-20000	CAP, FLUID RESERVOIR	1	
F08-A-29	6KM0-091202-20000	SEALING LINER, FLUID RESERVOIR	1	
F08-A-30	6KM0-091203-20000	SEALING GASKET, FLUID RESERVOIR	1	
F08-A-31	6KM0-091204-20000	FLUID RESERVOIR	1	
F08-A-32	30903-0201610	COTTER PIN	1	
F08-A-33	30904-0602240	PIN SHAFT	1	
F08-A-34	6FIV-081010-7000	FLUID INLET PIPE, FRONT BRAKE	1	

NO.	CODE	EN DESCRIPTION	QTY	REMARKS
F08-A-35	6FIV-081020-7001	FRONT BRAKE FLUID OUTLET HOSE	1	
F08-A-36	6FIV-080120-7100-M1	FRONT BRAKE CALIPER ASSY	1	
F08-A-37	6FIV-080120-71A0-M1	FRONT BRAKE PAD ASSY	1	
F08-A-38	6FIV-081100-7000-M1	MAB EXECUTION UNIT	1	
F08-A-39	6FIV-081030-7000	FLUID INLET PIPE, REAR BRAKE	1	
F08-A-40	6FIV-081040-7000	REAR BRAKE FLUID OUTLET HOSE	1	
F08-A-41	6FIV-081200-7000-M1	REAR BRAKE MASTER CYLINDER	1	
F08-A-42	6FIV-080220-7100-M1	REAR BRAKE CALIPER ASSY	1	
F08-A-43	6FIV-080220-71A0-M1	REAR BRAKE PAD ASSY	1	

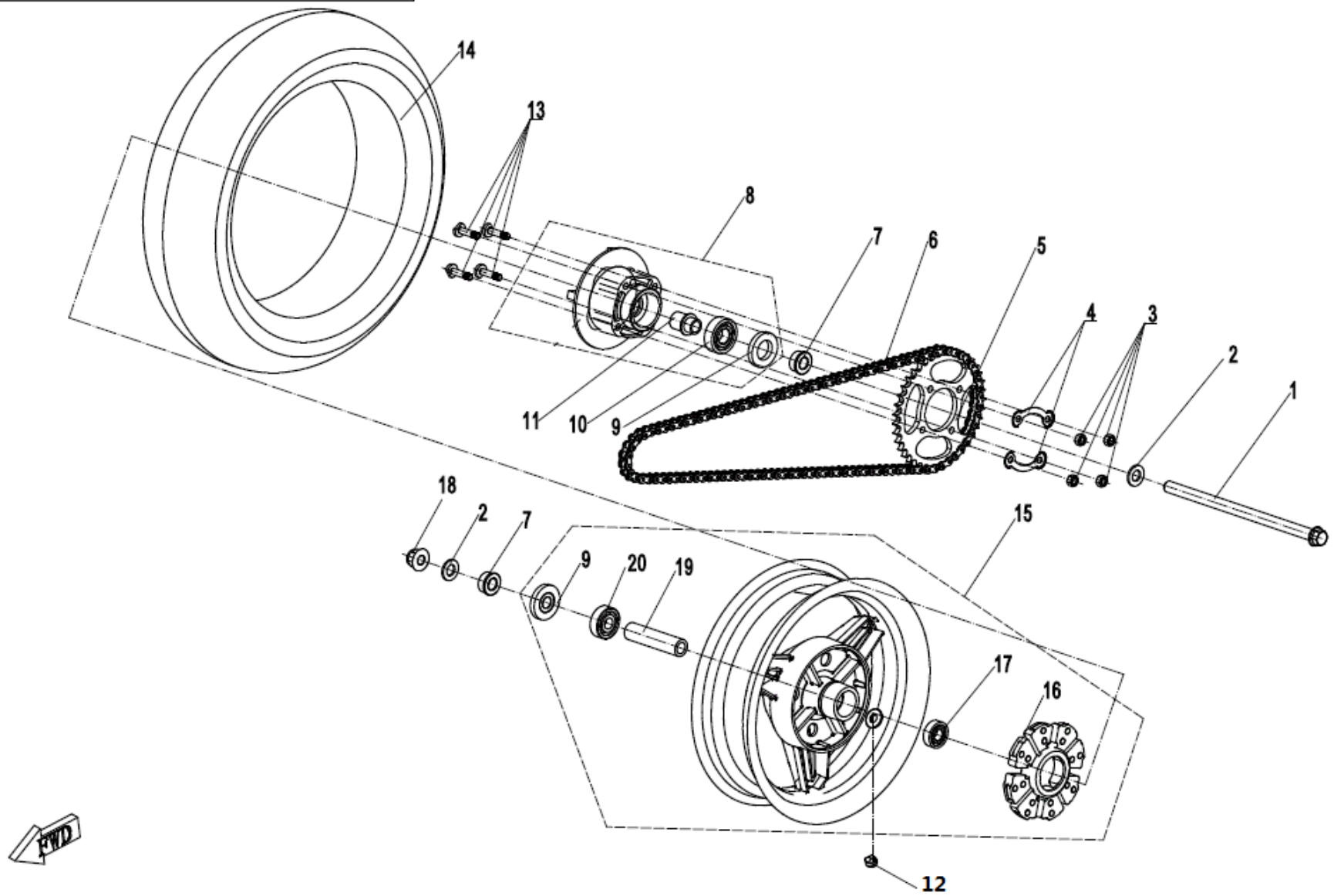
F10 STEERING SYSTEM



NO.	CODE	EN DESCRIPTION	QTY	REMARKS
F10-01	6FIV-200400-7100	RH REAR VIEW MIRROR ASSY	1	
F10-02	5280-100020	RH HAND GRIP ASSY	1	
F10-03	6FIV-167000-5000	RH HANDLEBAR SWITCH ASSY	1	
F10-04	6FIV-100100-7000	UPPER TRIPLE CLAMP HANDLEBAR ASSY	1	
F10-05	6KJ0-100002	CLUTCH PULL BINDING	2	
F10-06	6FIV-100400-7100	THROTTLE CABLE	1	
F10-07	30102-080025870	INNER HEX SCREW M8×25	2	
F10-08	6FIV-100600-7100	CLUTCH CABLE	1	
F10-09	6FI3-100301	CLUTCH LEVER	1	
F10-10	6FI3-100300-10000	CLUTCH LEVER ASSY	1	
F10-11	6FIV-166000-7101	HANDLEBAR SWITCH, LH	1	
F10-12	5280-100001	LH HAND GRIP	1	
F10-13	6FIV-200300-7100	LH REAR VIEW MIRROR ASSY	1	
F10-14	6KM#-100002-8000	PLUG	2	

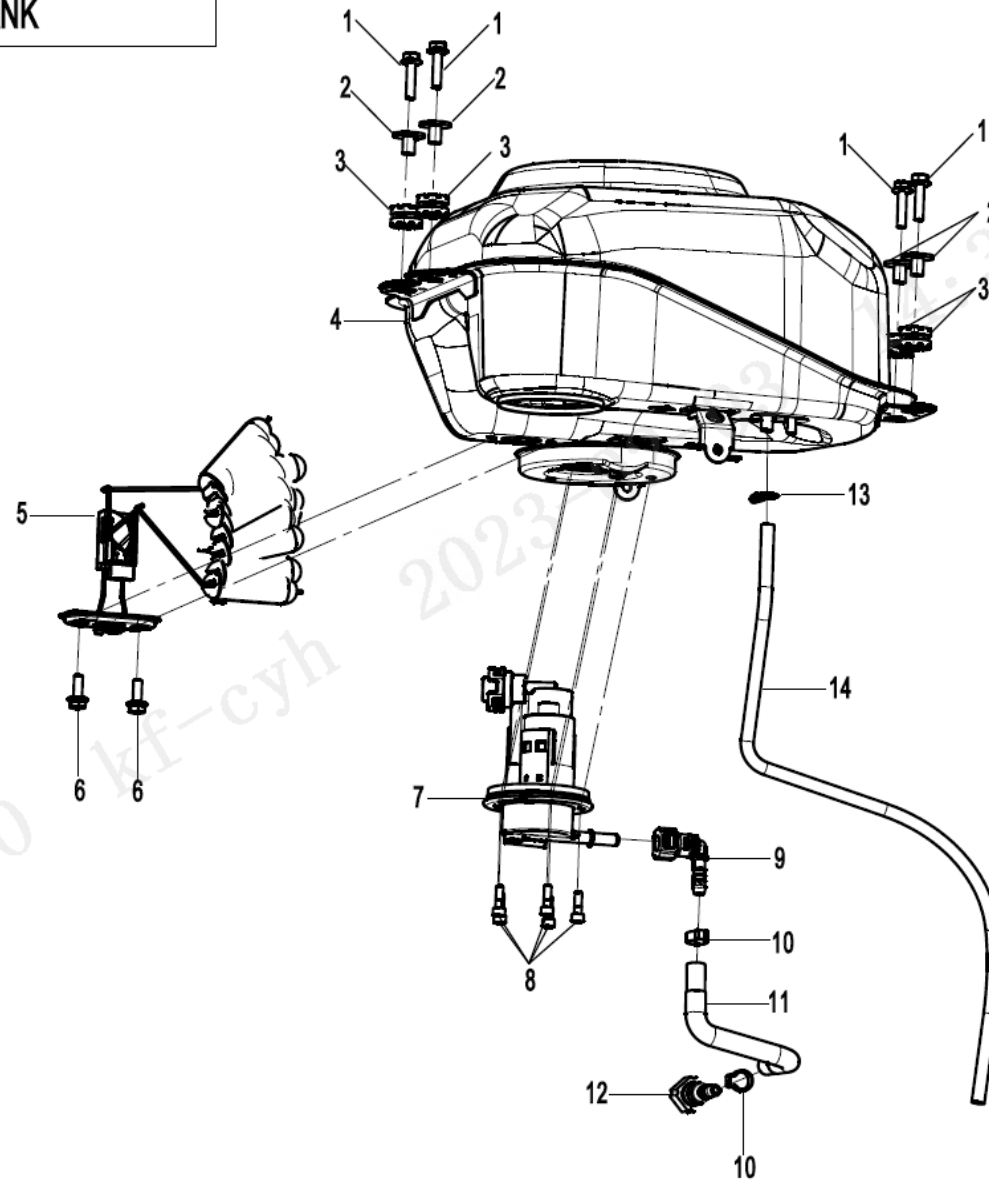
F11 REAR WHEEL

F11 后轮 REAR WHEEL



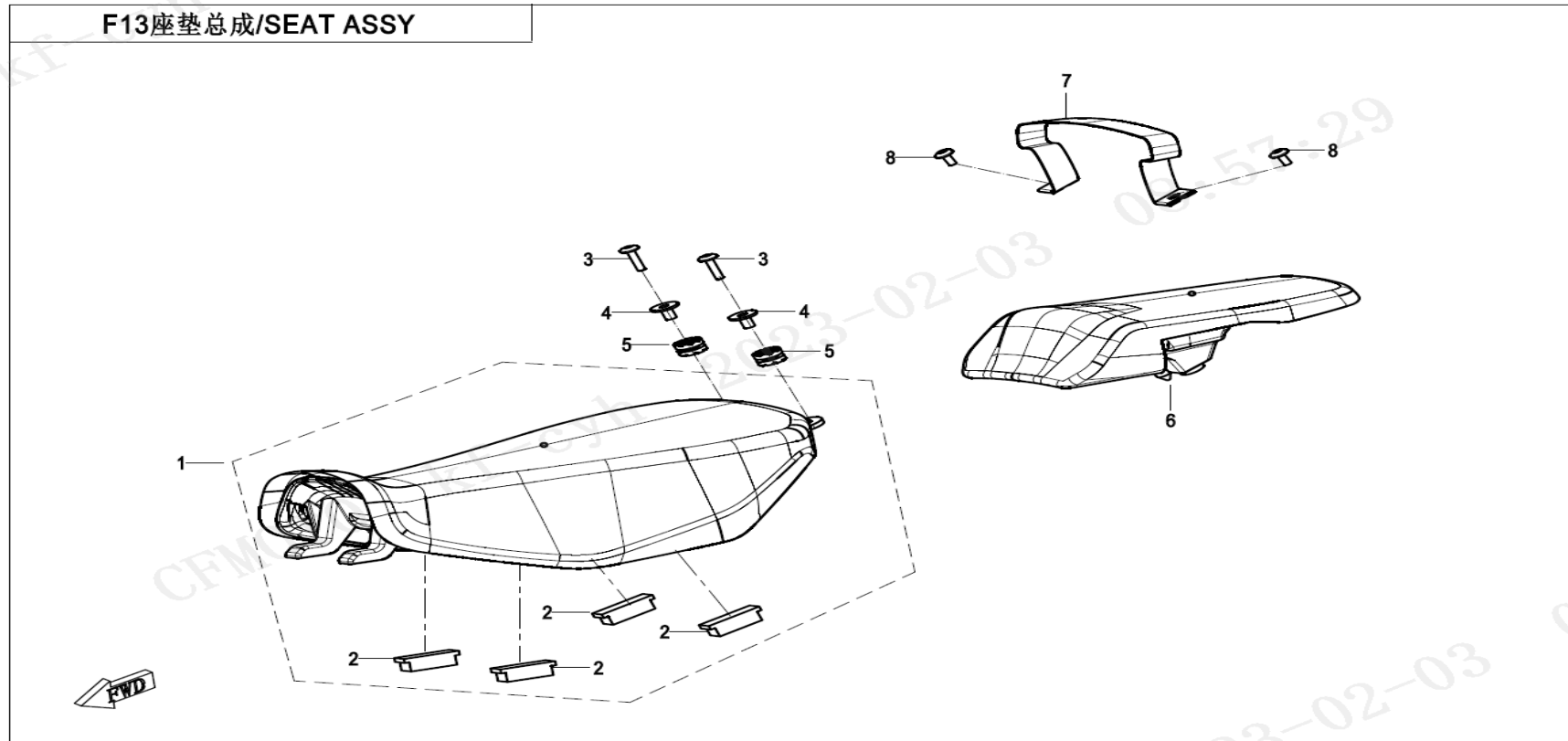
NO.	CODE	EN DESCRIPTION	QTY	REMARKS
F11-01	6FIV-110001-7100	REAR WHEEL SHAFT	1	
F11-02	30306-140112	WASHER	2	14
F11-03	30200-080810	NUT M8	4	
F11-04	6KJ0-110004	LOCK PAD	2	
F11-05	6FI2-110003-10000	REAR SPROCKET	1	
F11-06	3120909	CHAIN	1	
F11-07	6KJ0-110001-10000	RH SHAFT SLEEVE, REAR WHEEL	2	
F11-08	6090-112100	SEAT, SPROCKET	1	
F11-09	30500-027800N	OIL SEAL (FB27x47x7)	2	
F11-10	30400-02001	BEARING (6204-RS)	1	
F11-11	5280-112101	SHAFT SLEEVE	1	
F11-12	5190-070030-1000	VALVE, INFLATION	1	
F11-13	6KJ0-110003	BOLT	4	
F11-14	30704-1210	TIRE	1	
F11-15	6FIV-110100-6001-0B200	REAR RIM ASSY (MATTE BLACK)	1	
F11-16	6KJV-110004-8000	DAMPING RUBBER, SPROCKET SEAT	1	
F11-17	30400-01580	BEARING (6202-2RS)	1	
F11-18	30204-143810	NUT M14x1.5	1	
F11-19	6FIV-110102-6000	CENTER SPACER, REAR RIM	1	
F11-20	30400-01583	BEARING (6302-2RS)	1	

油箱/FUEL TANK



NO.	CODE	EN DESCRIPTION	QTY	REMARKS
F12-01	30006-060025810	BOLT	4	M6x25
F12-02	5020-031002	RUBBER SLEEVE LINER, FRONT LICENSE BRACKET	4	
F12-03	5020-031001	RUBBER SLEEVE, FRONT LICENSE BRACKET	4	
F12-04	6FIV-121000-7100	FUEL TANK	1	
F12-05	6FIV-170200-7100-M1	LEVEL SENSOR	1	
F12-06	6FI3-170500-00001	BOLT, OIL LEVER SENSOR	2	
F12-07	6FIA-150400-6401	FUEL PUMP ASSY	1	
F12-08	30102-050016810	SCREW M5x16	5	
F12-09	6090-120210	QUICK JOINT	1	
F12-10	6070-120400	CLAMP	2	Dia14.5
F12-11	6FIV-120030-7100	HIGH TENSION TUBE ASSY	1	
F12-12	6KJ0-120330-10000	QUICK JOINT	1	
F12-13	30601-111010	CLAMP A11	1	
F12-14	6KMV-120001-C000	BREATHER HOSE, FUEL TANK	1	

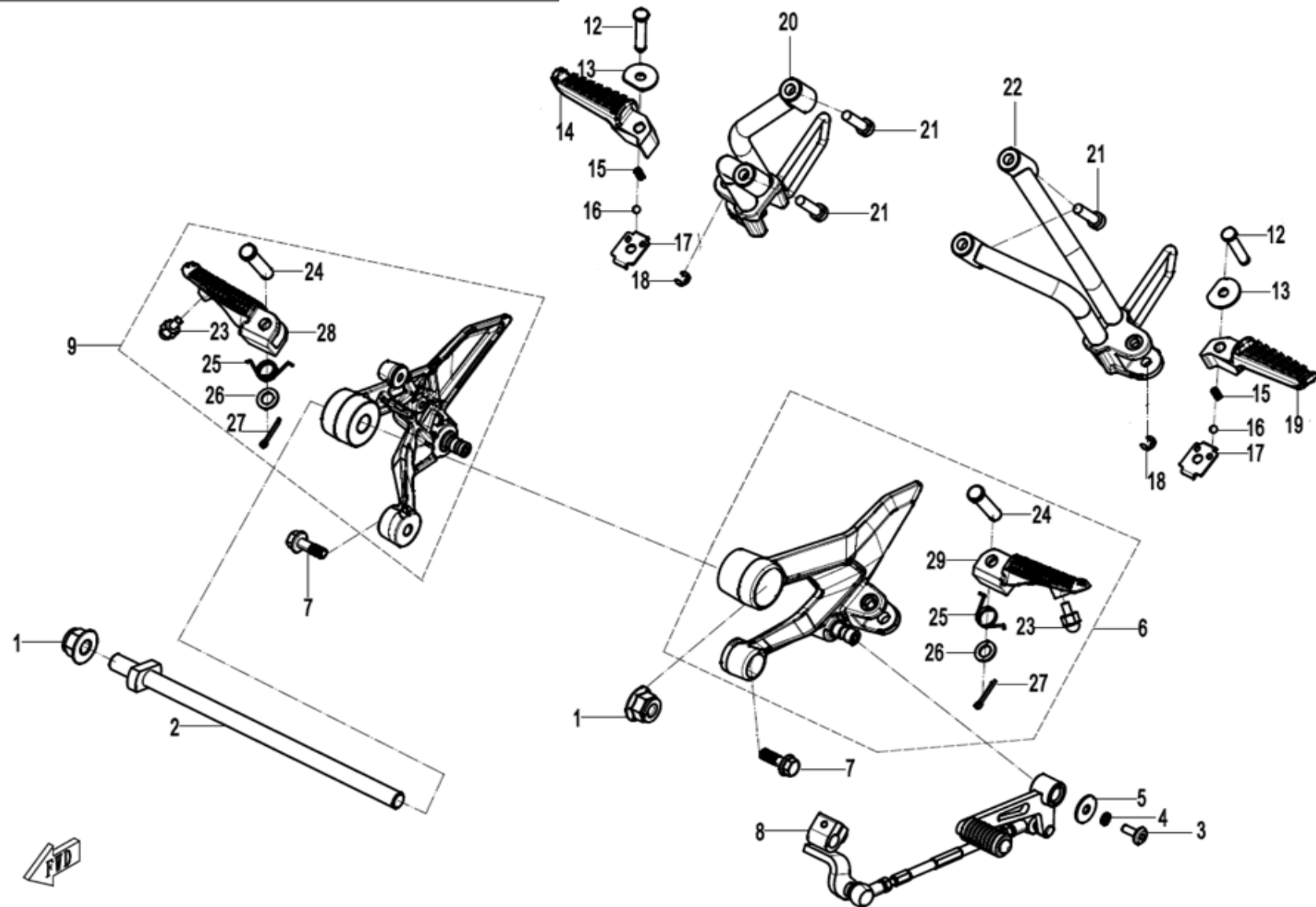
F13 SEAT



NO.	CODE	EN DESCRIPTION	QTY	REMARKS
F13-01	6FIV-130100-7100	FRONT SEAT ASSY	1	
F13-01	6FIV-130100-7100-10	FRONT SEAT ASSY (MOSS GREEN)	1	MOSS GREEN
F13-02	6KM#-130101-8000	DAMPING MAT	4	
F13-03	6WWV-047002-5000	INNER HEX SCREW M6x25	2	
F13-04	6KMO-120010	T-TYPE BUSHING ASSY	2	
F13-05	5020-031001	RUBBER SLEEVE, FRONT LICENSE BRACKET	2	
F13-06	6FIV-130200-7100	REAR SEAT ASSY	1	
F13-06	6FIV-130200-7100-10	REAR SEAT ASSY (MOSS GREEN)	1	MOSS GREEN
F13-07	6GUV-130300-7001	TIE STRAP KIT	1	
F13-08	6WWV-046802-5000	INNER HEX SCREW M6x16	2	

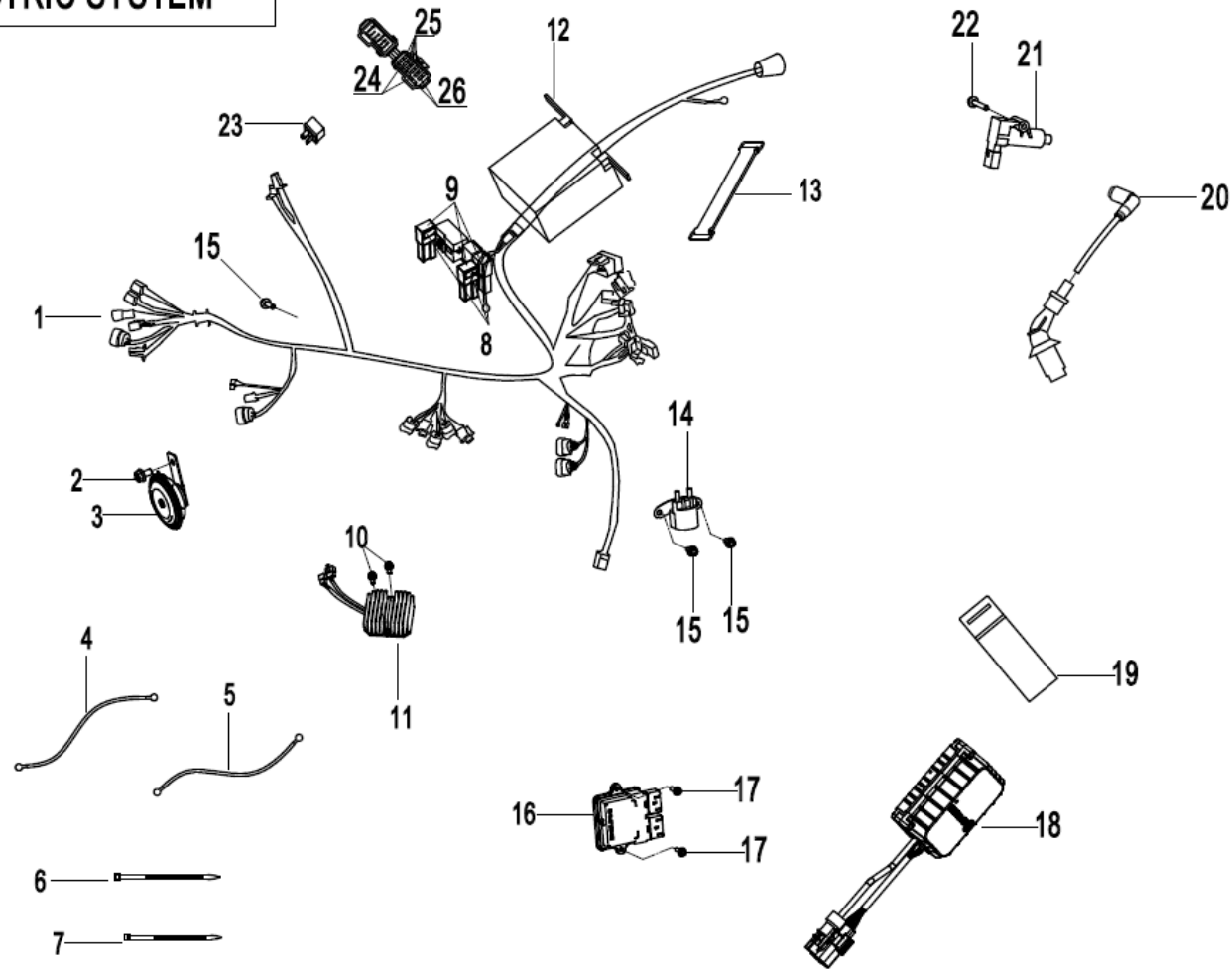
F14 FOOTREST

F14 脚踏总成/PEDAL ASSY



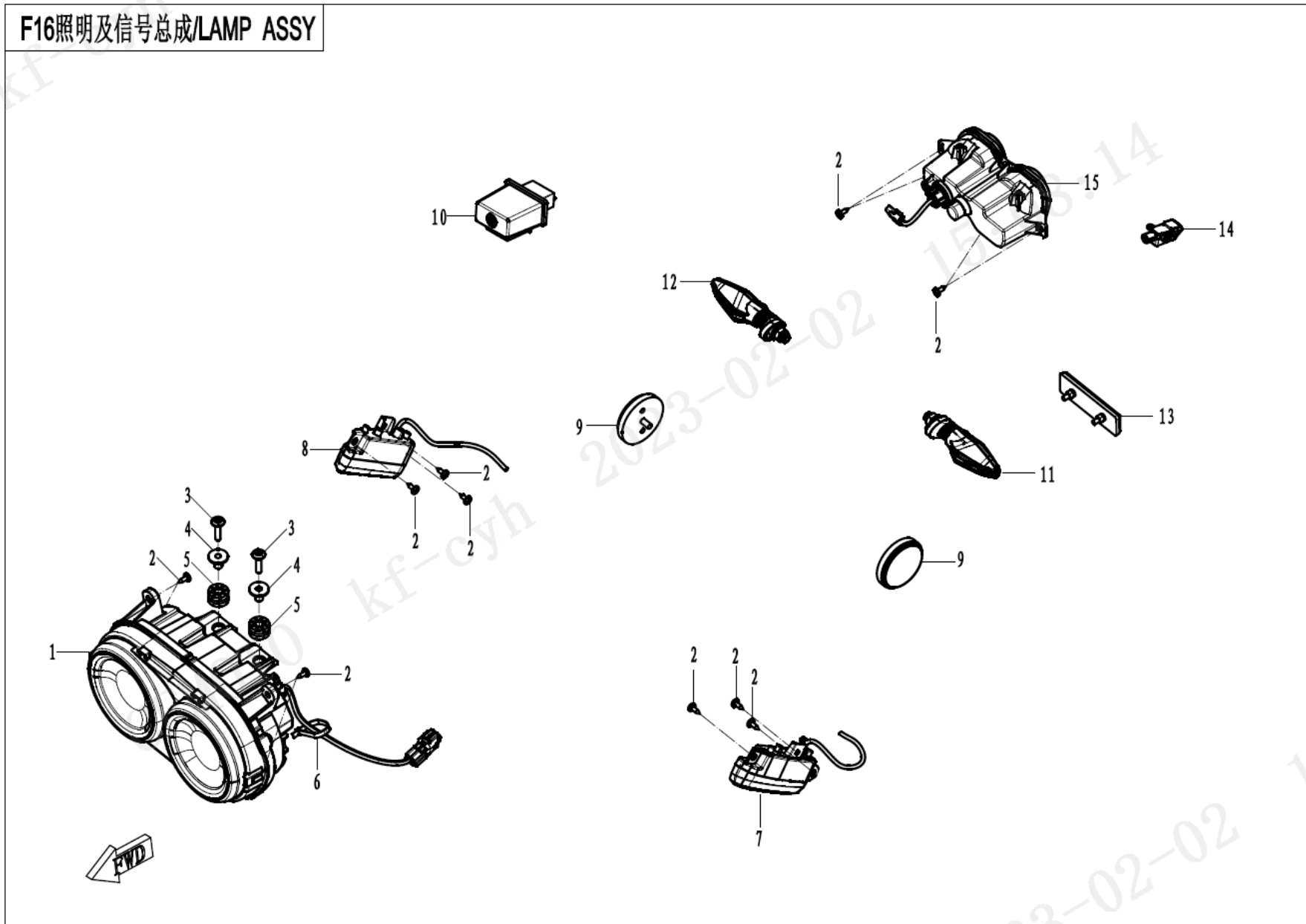
NO.	CODE	EN DESCRIPTION	QTY	REMARKS
F14-01	30204-143810	NUT M14x1.5	2	
F14-02	6FIV-060007-7100	REAR FORK SHAFT	1	
F14-03	6WWV-046802-5000	INNER HEX SCREW M6x16	1	
F14-04	30303-060152	WASHER	1	
F14-05	30301-060470	RETAINER	1	
F14-06	6FIV-142000-7100	LH FRONT FOOTREST BRACKET	1	
F14-07	30006-080025810	BOLT	2	M8x25
F14-08	6FIV-141000-7100	GRARSHIFT ASSY	1	
F14-09	6FIV-143000-7100	RH FRONT FOOTREST ASSY	1	
F14-12	A000-140142	PIN SHAFT Dia 8	2	
F14-13	A000-140106	LOCATING GASKET 2	2	
F14-14	A000-140109	REAR FOOTREST, RH	1	
F14-15	5190-037813	SPRING	2	
F14-16	5190-037814	STEEL BALL	2	
F14-17	A000-140104	LOCATING GASKET 1	2	
F14-18	30802-00603	CIRCLIP 6	2	
F14-19	A000-140108	REAR FOOTREST, LH	1	
F14-20	6FIV-140300-7100	RH REAR FOOTREST BRACKET	1	
F14-21	30102-080025810	SCREW M8x25	4	
F14-22	6FIV-140200-7100	LH REAR FOOTREST BRACKET	1	
F14-23	A010-140123	LIMIT BOLT	2	
F14-24	6WWV-140141-5000	PIN SHAFT	2	
F14-25	A000-140103-20000	SPRING	2	
F14-26	30300-100112	WASHER	2	
F14-27	30903-0322210	COTTER PIN	2	3.2x22
F14-28	6FIV-140900-7100	RH FRONT FOOTREST BRACKET	1	
F14-29	6FIV-140800-7100	LH FRONT FOOTREST BRACKET	1	

F15 电器系统/ELECTRIC SYSTEM



NO.	CODE	EN DESCRIPTION	QTY	REMARKS
F15-A-01	6FIV-150100-7001	MAIN CABLE	1	
F15-A-02	6FIV-150600-7000	HORN	1	
F15-A-03	30006-080014810	BOLT M8x14	1	
F15-A-04	6FIV-150420-7100	BATTERY NEGATIVE CABLE	1	
F15-A-05	6FIV-150176-7101	LICENSE PLATE CABLE	1	
F15-A-08	9010-150002	RUBBER RING, AUXILIARY RELAY	3	
F15-A-09	CFCV-150524-2000-M1	AUXILIARY RELAY	3	
F15-A-10	30006-060022810	BOLT	2	
F15-A-11	6FI3-150700	REGULATOR	1	
F15-A-12	96100V030000	BATTERY	1	
F15-A-13	1080-150700	TIE BAND, BATTERY	1	
F15-A-14	5270-150500	STARTER RELAY	1	
F15-A-15	30006-060012810	BOLT M6x12	2	
F15-A-16	6FIV-001000-7000	ECM ASSY	1	
F15-A-17	30102-060012810	SCREW	2	
F15-A-18	SN1V-691100-1200-11	T-BOX	1	
F15-A-19	6KMV-150901-B001	RUBBER RING, T-BOX	1	
F15-A-20	6FIV-003500-7100	HIGH TENSION CABLE ASSY	1	
F15-A-21	6FIV-003400-8000	IGNITION COIL	1	
F15-A-22	30006-060035810	BOLT M6x35	1	
F15-A-23	6090-150500	DIODE, STARTER	3	
F15-A-24	8010-151301	FUSE 5A	2	
F15-A-25	806A-151305	FUSE 15A	5	
F15-A-26	806A-151308	30A FUSE	2	

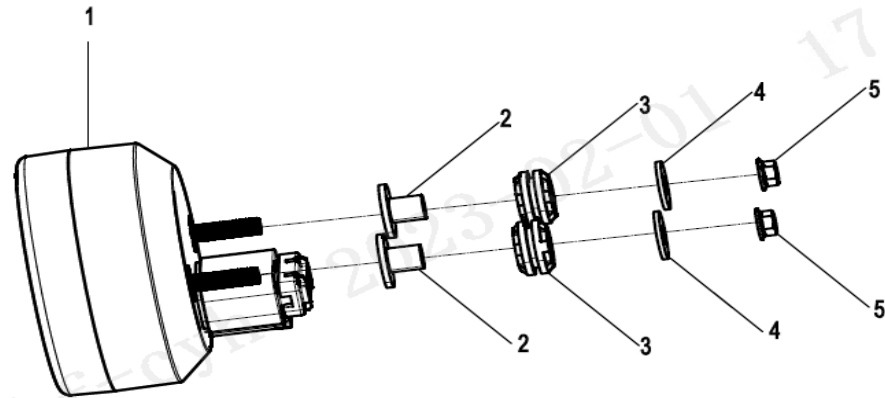
F16照明及信号总成/LAMP ASSY



NO.	CODE	EN DESCRIPTION	QTY	REMARKS
F16-01	6FIV-160110-7101	HEADLIGHT	1	
F16-02	30110-421130010	SCREW	14	ST4.2x13
F16-03	6GU#-000201-6000	INNER HEX SCREW M6x25	2	
F16-04	6GU#-000202-6000	T SHAPE BUSHING KIT	2	
F16-05	5020-031001	RUBBER SLEEVE, FRONT LICENSE BRACKET	2	
F16-07	6FIV-165100-7101	LH FRONT TURN LIGHT ASSY	1	
F16-08	6FIV-165200-7101	RH FRONT TURN LIGHT ASSY	1	
F16-09	9GQV-160920-1401-M1	FRONT SIDE REFLECTOR	2	
F16-10	6FIV-161000-7100	FLASHER	1	
F16-11	6KWV-160530-1000	LH REAR TURN LIGHT ASSY	1	
F16-12	6KWV-160540-1000	RH REAR TURN LIGHT ASSY	1	
F16-13	6KM0-160230-00001	REAR REFLECTOR	1	
F16-14	6GUV-160600-6200	LICENSE LIGHT	1	
F16-15	6FIV-160200-7101	TAIL LIGHT	1	

F17 DASHBOARD

仪表总成/DASHBOARD ASSY



NO.	CODE	EN DESCRIPTION	QTY	REMARKS
F17-01	6FIV-171000-7100	DASHBOARD	1	
F17-02	6090-040303	BUSHING	2	
F17-03	6WWW-030019-5000	RUBBER BUSHING	2	
F17-04	30301-060470	RETAINER	2	
F17-05	30202-060110	NUT M6	2	

F19-2-B DECAL (MOSS GREEN-ABS)

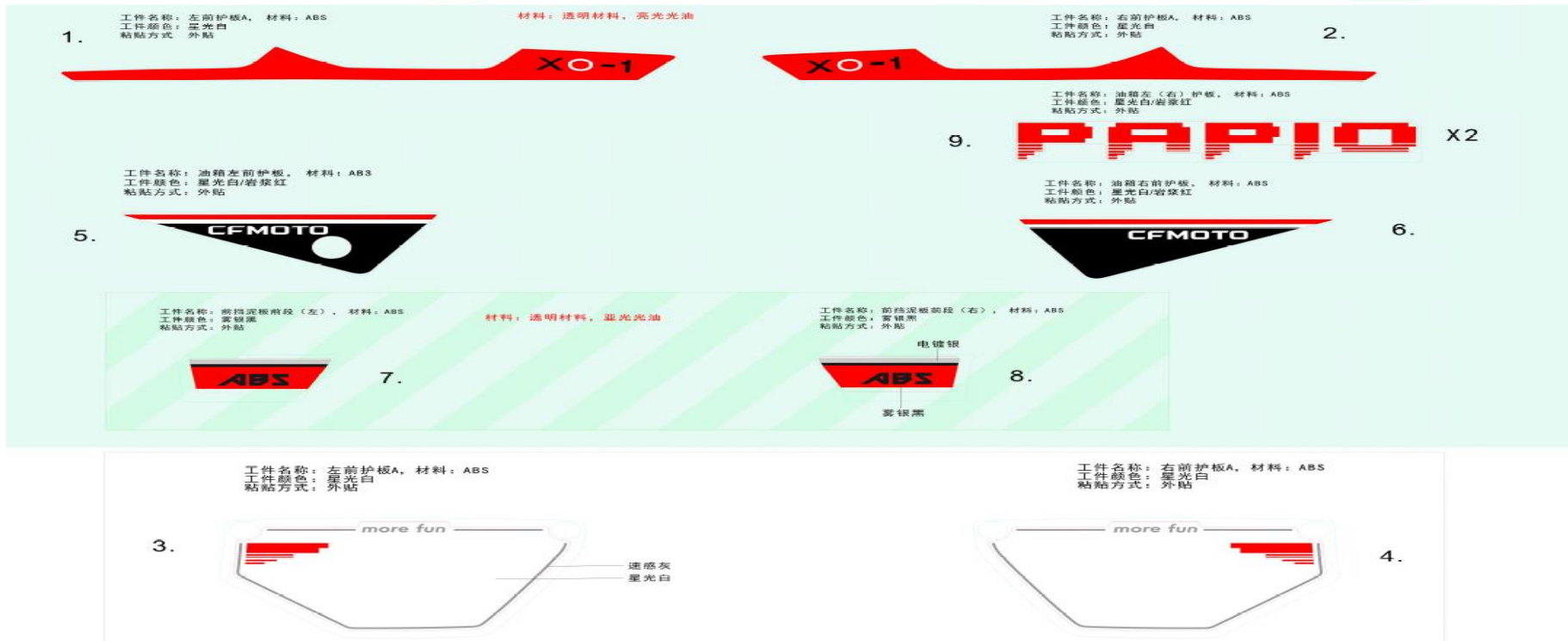
6FIV-190100-7101-12 个性贴花总成
格林绿配色 [ABS版]



NO.	CODE	EN DESCRIPTION	QTY	REMARKS
F19-2-B-01	6FIV-190101-7101-12	LH COMMERCIAL NAME DECAL	1	
F19-2-B-02	6FIV-190102-7101-12	RH COMMERCIAL NAME DECAL	1	
F19-2-B-03	6FIV-190103-7100-12	LH MORE FUN DECAL	1	
F19-2-B-04	6FIV-190104-7100-12	RH MORE FUN DECAL	1	
F19-2-B-05	6FIV-190105-7100-12	LH CFMOTO DECAL	1	
F19-2-B-06	6FIV-190106-7100-12	RH CFMOTO DECAL	1	
F19-2-B-07	6FIV-190108-7100-12	LH ABS DECAL	1	
F19-2-B-08	6FIV-190109-7100-12	RH ABS DECAL	1	

F19-2-C DECAL (FIERY RED--ABS)

6FIV-190100-7101-13 个性贴花总成
蒙扎红配色 [ABS版]

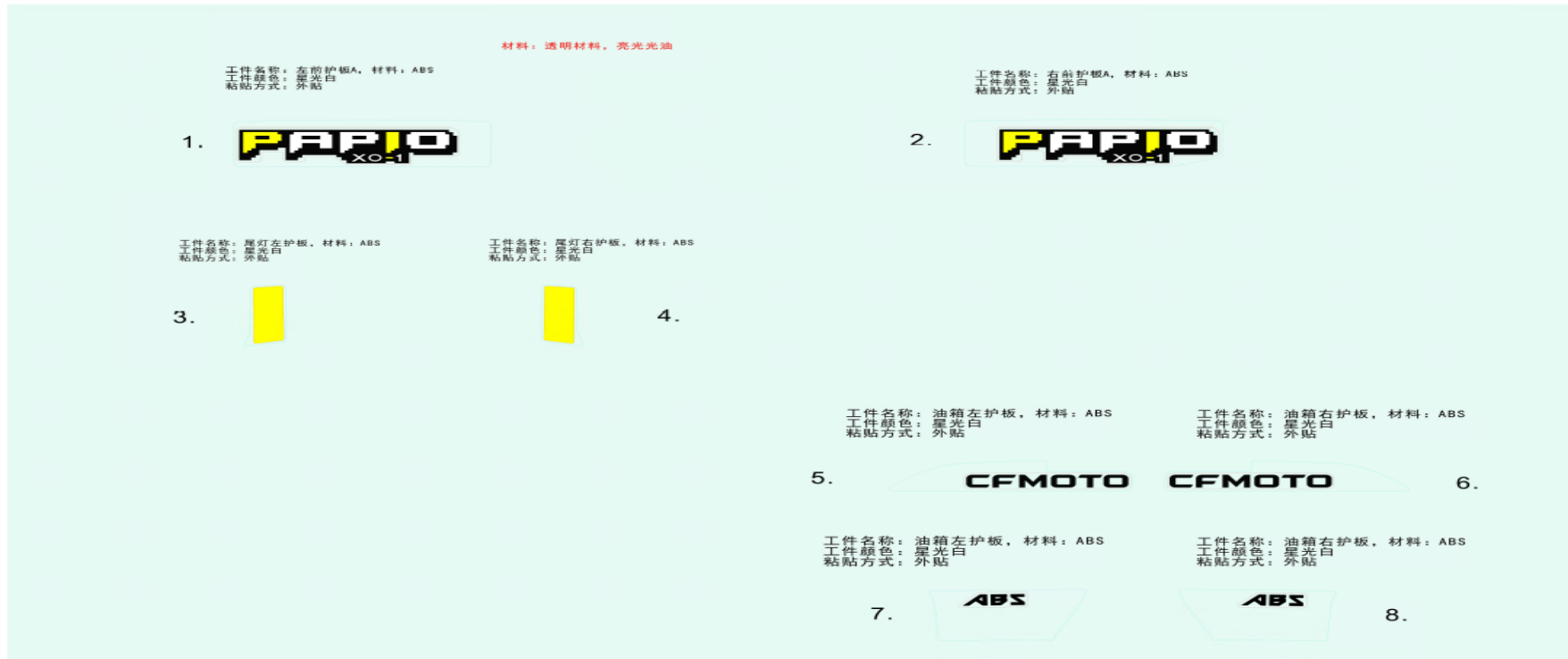


NO.	CODE	EN DESCRIPTION	QTY	REMARKS
F19-2-C-01	6FIV-190101-7100-13	LH FRONT PANEL A DECAL	1	
F19-2-C-02	6FIV-190102-7100-13	RH FRONT PANEL A DECAL	1	
F19-2-C-03	6FIV-190103-7100-13	LH MORE FUN DECAL	1	
F19-2-C-04	6FIV-190104-7100-13	RH MORE FUN DECAL	1	
F19-2-C-05	6FIV-190105-7100-13	LH CFMOTO DECAL	1	
F19-2-C-06	6FIV-190106-7100-13	RH CFMOTO DECAL	1	
F19-2-C-07	6FIV-190108-7100-13	LH ABS DECAL	1	
F19-2-C-08	6FIV-190109-7100-13	RH ABS DECAL	1	
F19-2-C-09	6FIV-190110-7100-13	COMMERCIAL NAME DECAL	2	

6FIV-190100-7101-11 个性贴花总成 盐滩白配色 [ABS版]

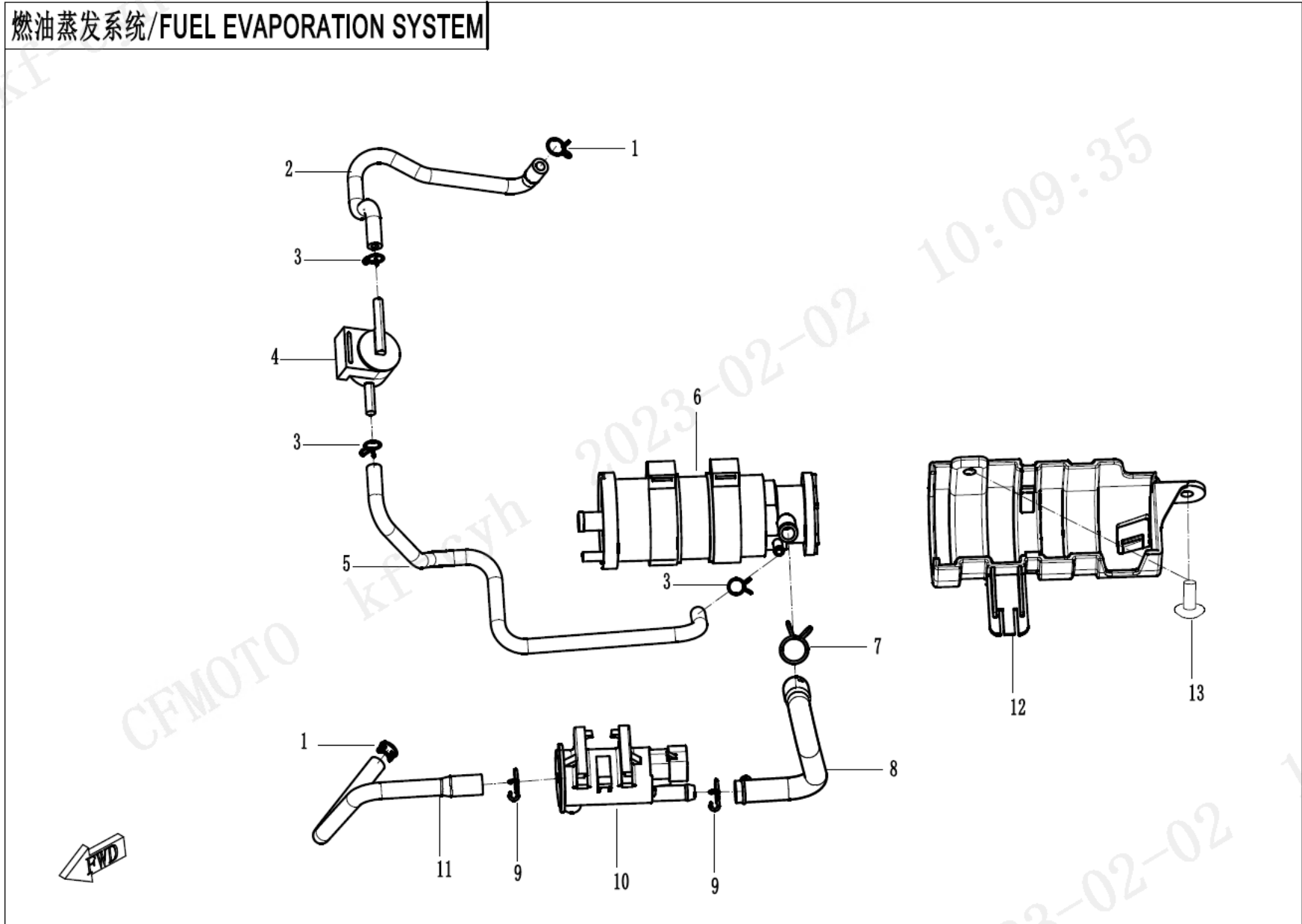
— 刀模线(半模线) — 覆膜线(整模线)
■ 柠檬绿 ■ 星光黑 ■ 星光白 ■ 钛金灰

 光白亮光
 光白哑光
 透明亮光
 透明哑光
 透明内贴



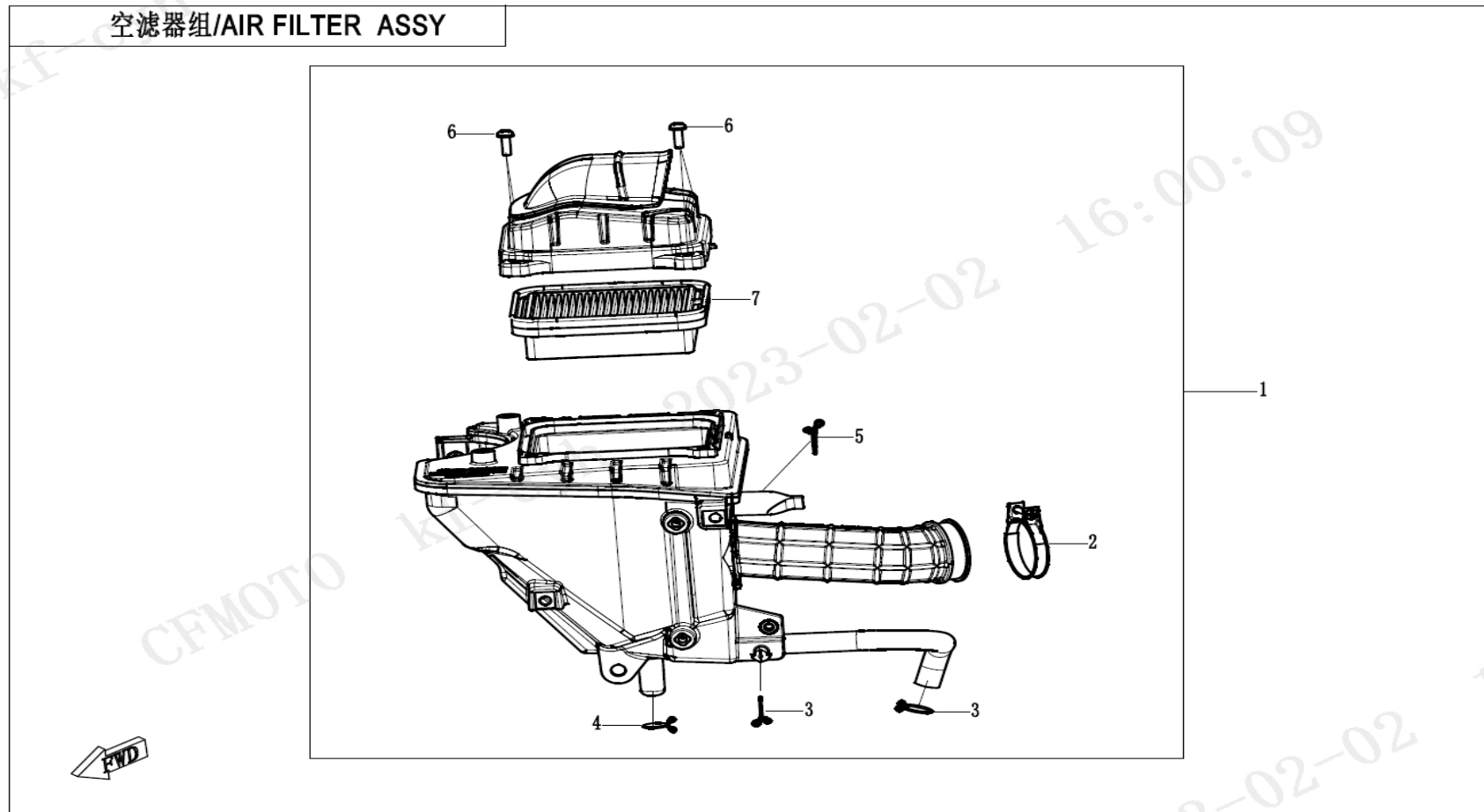
NO.	CODE	EN DESCRIPTION	QTY	REMARKS
F19-2-D-01	6FIV-190101-7100-10	LH COMMERCIAL NAME DECAL	1	
F19-2-D-02	6FIV-190102-7100-10	RH COMMERCIAL NAME DECAL	1	
F19-2-D-03	6FIV-190103-7100-10	TAILLIGHT LH PANEL DECAL	1	
F19-2-D-04	6FIV-190104-7100-10	TAILLIGHT RH PANEL DECAL	1	
F19-2-D-05	6FIV-190105-7100-10	LH CFMOTO DECAL	1	
F19-2-D-06	6FIV-190106-7100-10	RH CFMOTO DECAL	1	
F19-2-D-07	6FIV-190108-7100-11	LH ABS DECAL	1	
F19-2-D-08	6FIV-190109-7100-11	RH ABS DECAL	1	

燃油蒸发系统/FUEL EVAPORATION SYSTEM

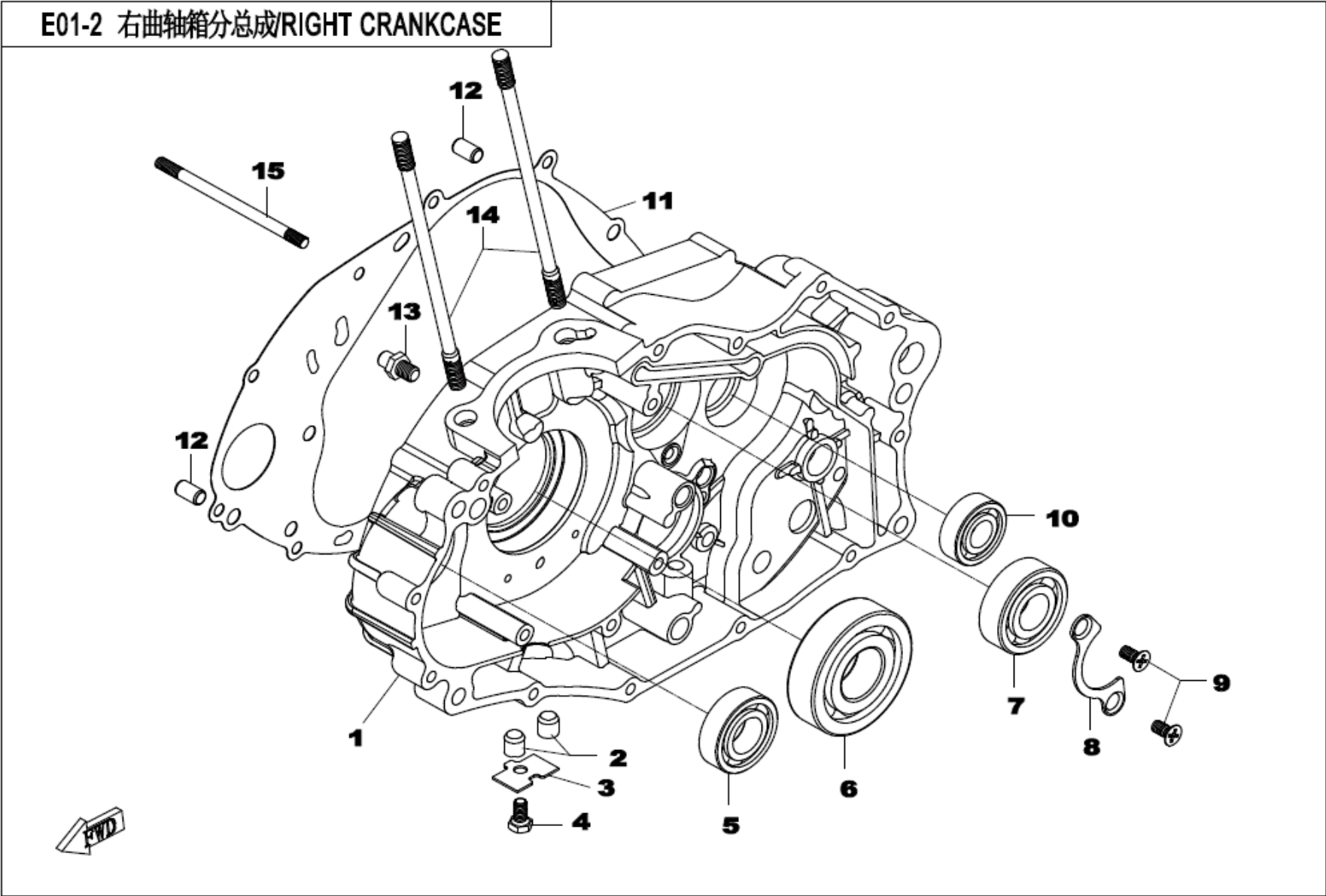


NO.	CODE	EN DESCRIPTION	QTY	REMARKS
F36-01	30601-109010	CLAMP A9	2	
F36-02	6FIV-360001-7100	FUEL VAPOR ADSORPTION HOSE 1	1	
F36-03	30601-108010	CLAMP A8	3	
F36-04	606B-360100	ANTI-ROLLOVER VALVE	1	
F36-05	6FIV-360002-7100	FUEL VAPOR ADSORPTION HOSE 2	1	
F36-06	6FIV-360200-7100	CANISTER VALVE	1	
F36-07	30601-114010	CLAMP A14	1	
F36-08	6FIV-360003-7100	FUEL VAPOR DESORPTION HOSE 1	1	
F36-09	30601-112010	CLAMP A12	2	
F36-10	6FIV-003200-8000	CANISTER MAGNETIC VALVE	1	
F36-11	6FIV-360004-7100	FUEL VAPOR DESORPTION HOSE 2	1	
F36-12	6FIV-041503-7100	CANISTER BOX	1	
F36-13	6WWV-046702-5000	INNER HEX SCREW M6x12	2	

F41 AIR FILTER



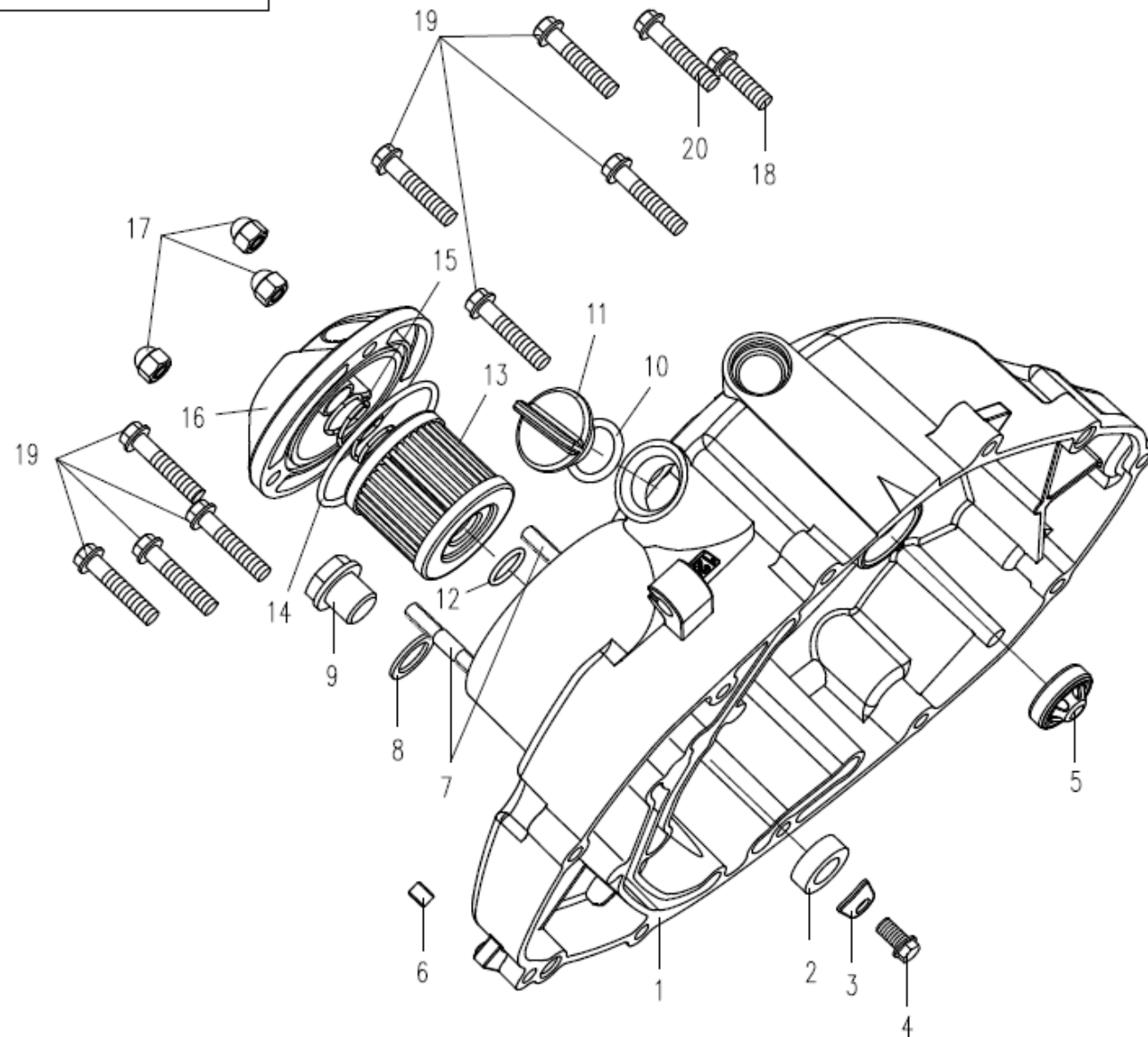
NO.	CODE	EN DESCRIPTION	QTY	REMARKS
F41-01	OKIV-110000-4000	AIR FILTER ASSY	1	
F41-02	OKIA-110100	d44 CLAMP ASSY	1	
F41-03	30601-114010	CLAMP A14	2	
F41-04	30601-113510	CLAMP	1	
F41-05	30601-117010	CLAMP A17	1	
F41-06	30112-050016440	SCREW COMP	4	
F41-07	OKIV-112000-4000	FILTER ELEMENT	1	



NO.	CODE	EN DESCRIPTION	QTY	REMARKS
E01-2-01	0K12-012100-0B20	RH CRANKCASE	1	
E01-2-02	0A70-012007	PLUG	2	
E01-2-03	0A70-012006	PRESS PLATE, OIL PASSAGE	1	
E01-2-04	30004-060012820	BOLT M6x12	1	
E01-2-05	30400-02008	BEARING (6104)	1	
E01-2-06	30400-02801	BEARING (63/28/P53)	1	
E01-2-07	30400-02000	BEARING (6204P6)	1	
E01-2-08	0A70-012002	PRESS TOOL. BEARING	1	
E01-2-09	30107-060012410	SCREW M6x12	2	
E01-2-10	30400-01503	BEARING (6202/P6)	1	
E01-2-11	0A80-012005	GASKET, RH SIDE COVER	1	
E01-2-12	0010-080008	DOWEL PIN	2	
E01-2-13	0A70-012001-00003	LIMIT BOLT	1	
E01-2-14	0A70-012004-00001	CYLINDER STUD M8x175	2	
E01-2-15	0A70-012003-00002	STUD	1	

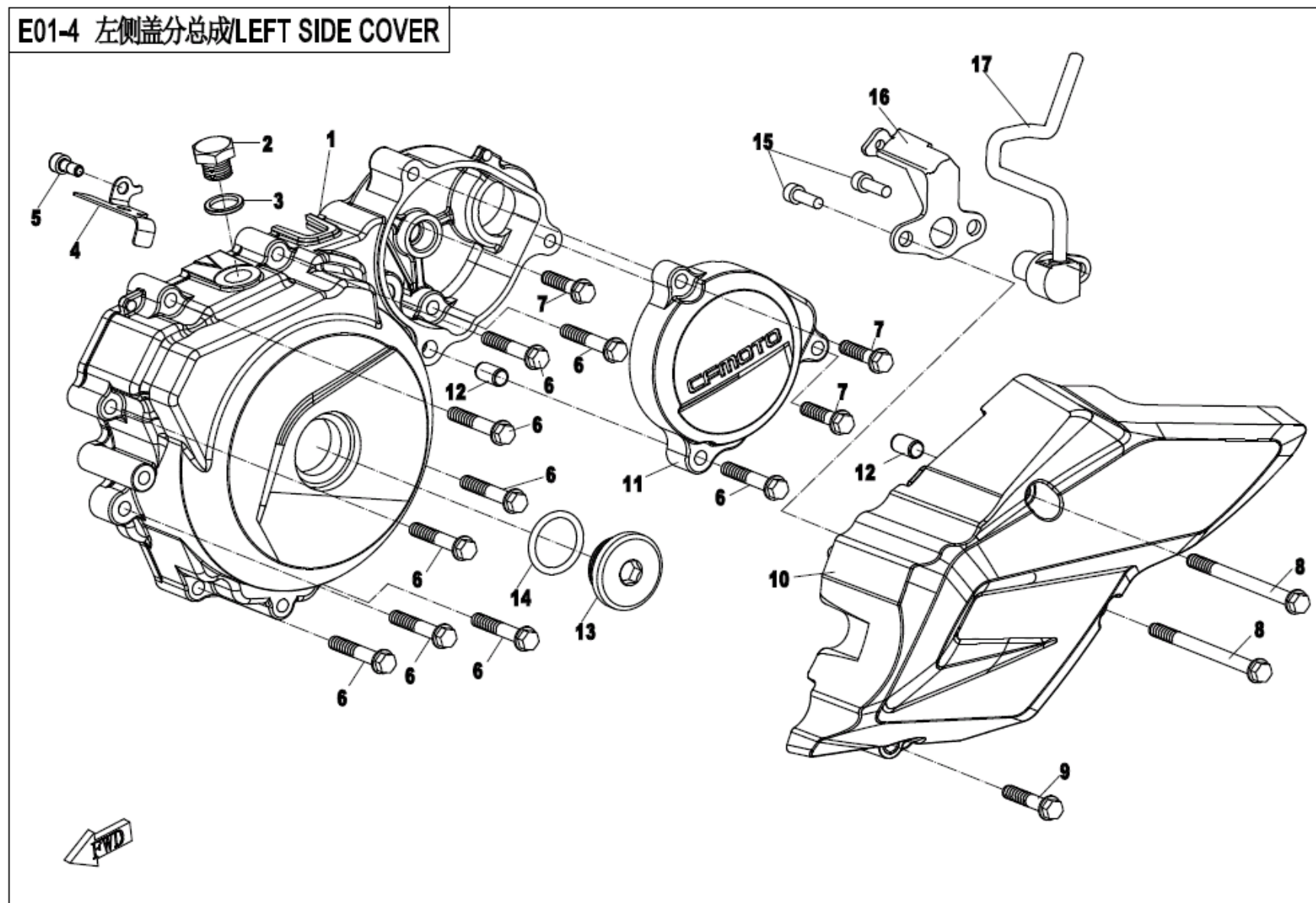
E01-3 RIGHT SIDE COVER ASSY.

E01-3 右侧盖分总成/RIGHT SIDE COVER



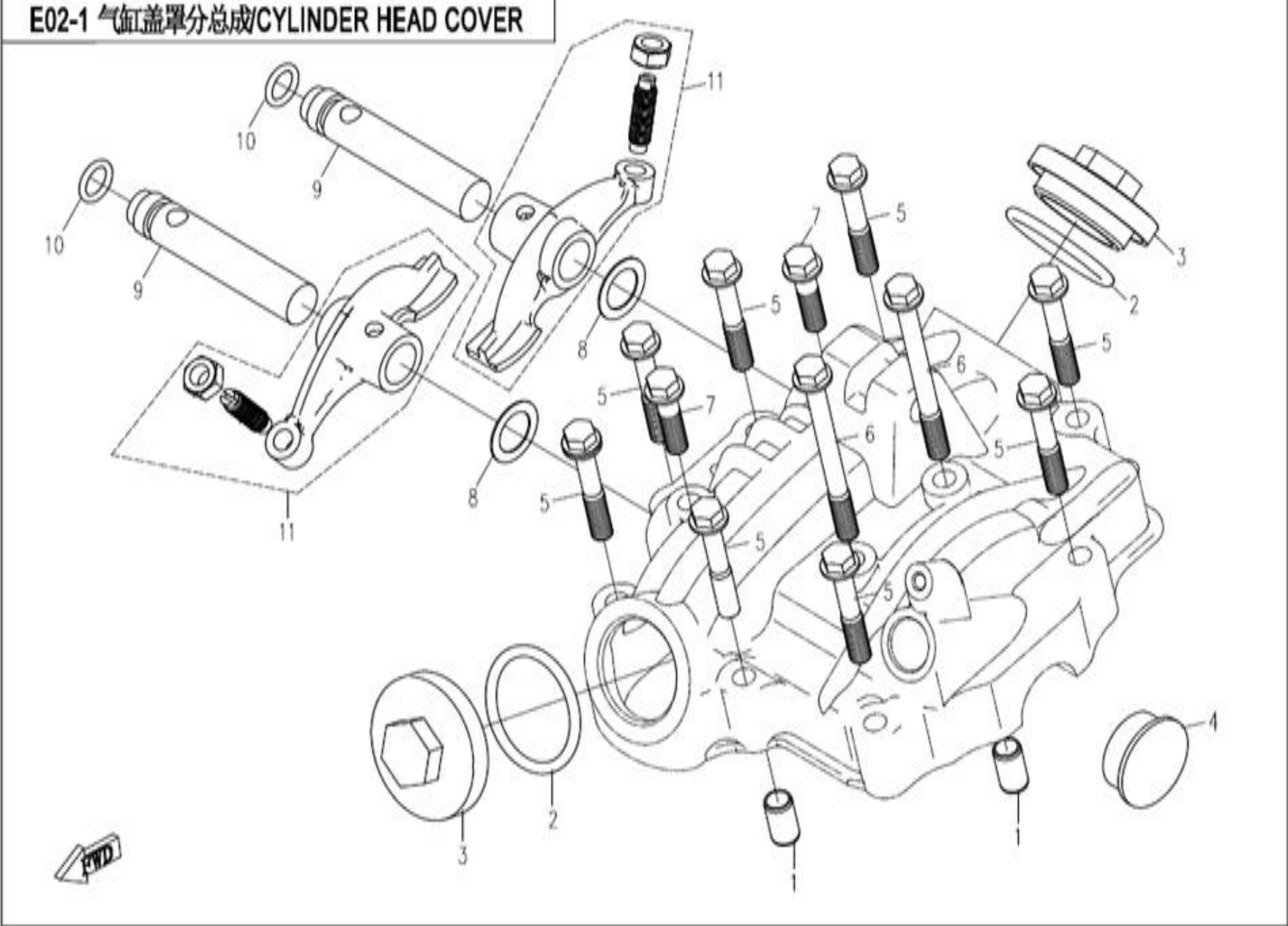
NO.	CODE	EN DESCRIPTION	QTY	REMARKS
E01-3-01	0A80-013001-2B201	RH SIDE COVER	1	
E01-3-02	0A70-013100	OIL SEAL 12x21x7, CRANKCASE	1	
E01-3-03	0A80-013003	PRESS PLATE, OIL SEAL	1	
E01-3-04	30105-060012410	SCREW M6x12	1	
E01-3-05	0A70-013500	VIEWER, OIL LEVEL	1	
E01-3-06	0A70-013004	PLUG	1	
E01-3-07	30017-060022110	BOLT	2	
E01-3-08	0180-011006	GASKET 14	1	
E01-3-09	0A70-013007-00001	SCREW PLUG M14x1.25x12	1	
E01-3-10	0A70-013006	O-SEAL RING 16.8x3.1	1	
E01-3-11	0A70-013005	BOLT PLUG, FUEL FILLING PORT	1	
E01-3-12	01A0-013005	O-SEAL RING	1	
E01-3-13	0A70-013200	FILTER ELEMENT, PAPER	1	
E01-3-14	01A0-013003	O-SEAL RING 53.6x2.4	1	
E01-3-15	0A70-013003	SPRING, FILTER ELEMENT	1	
E01-3-16	0A80-013002-0B20	COVER, OIL FILTER	1	
E01-3-17	30212-060810	CAP-SHAPE BOLT M6	3	
E01-3-18	0010-023010-0010	BOLT M6x20	1	
E01-3-19	0010-060012-0010	BOLT M6x30	8	
E01-3-20	0010-013008-0010	BOLT M6x35	1	

E01-4 左侧盖分总成/LEFT SIDE COVER



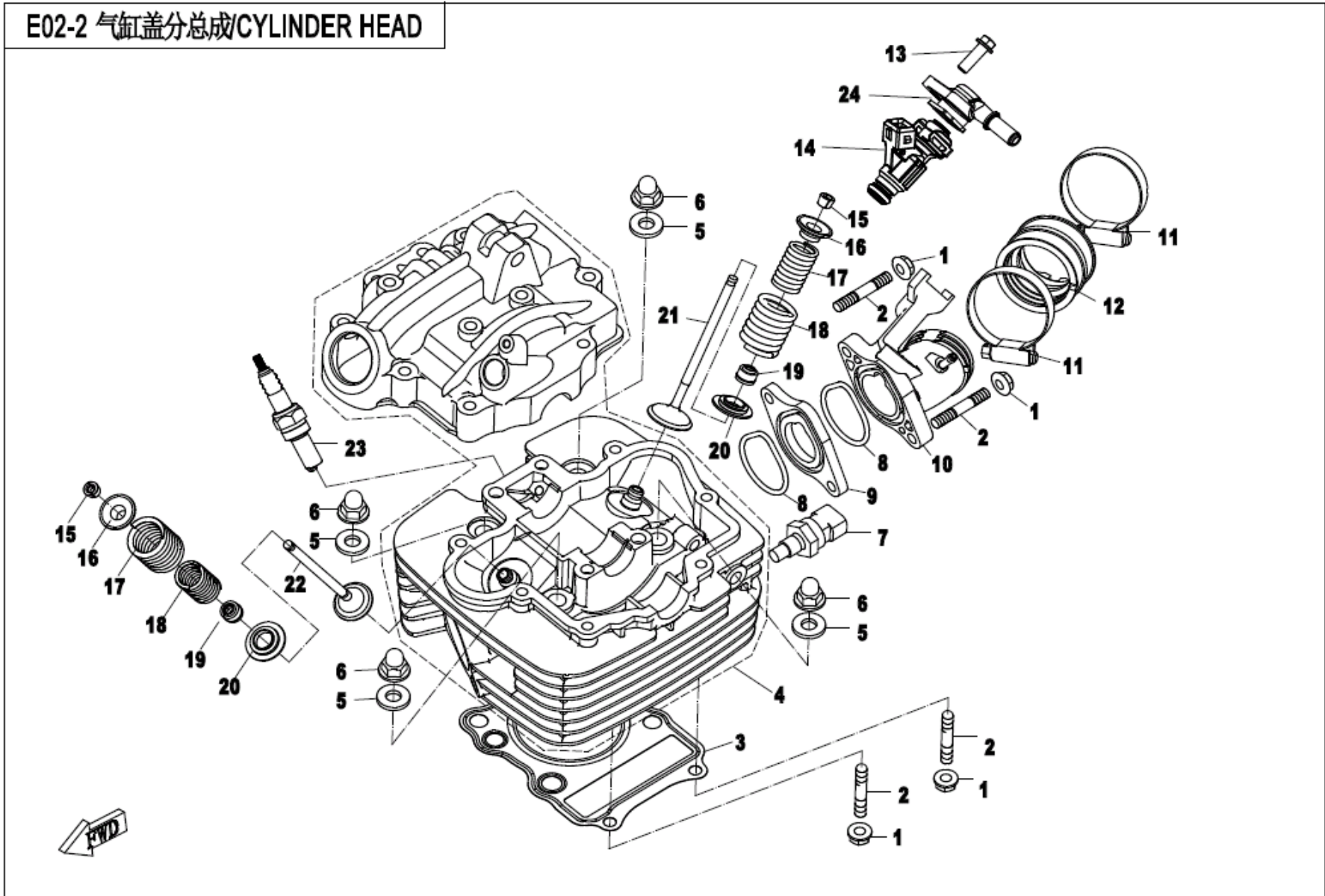
NO.	CODE	EN DESCRIPTION	QTY	REMARKS
E01-4-01	0A80-014001-1B203	LH FRONT COVER	1	
E01-4-02	0A70-014007-00001	SCREW PLUG, VIEW HOLE	1	
E01-4-03	0010-021014	WASHER 12	1	
E01-4-04	0A80-014005	WIRE CLAMP	1	
E01-4-05	30102-050012810	SCREW M5x12	1	
E01-4-06	0010-013008-0010	BOLT M6x35	9	
E01-4-07	0010-021017-0010	BOLT M6x25	3	
E01-4-08	0A70-011005-00001	BOLT M6x75	2	
E01-4-09	0010-060012-0010	BOLT M6x30	1	
E01-4-10	0KIA-014100	REAR COVER, LH	1	
E01-4-11	0A80-014003-2B201	LH FRONT GEAR COVER	1	MATTE BLACK
E01-4-12	0010-080008	DOWEL PIN	2	8X14
E01-4-13	0A70-014005-0B20	BOLT CAP, LH FRONT SIDE COVER	1	MATTE BLACK
E01-4-14	0A70-014006	O-SEAL RING 22.7x3.1	1	22.7x3.1
E01-4-15	30102-050016810	SCREW M5x16	2	M5x16
E01-4-16	6FIV-040012-7100	SPEED SENSOR BRACKET	1	
E01-4-17	0700-065310-10000	SPEED SENSOR	1	

E02-1 气缸盖罩分总成 CYLINDER HEAD COVER



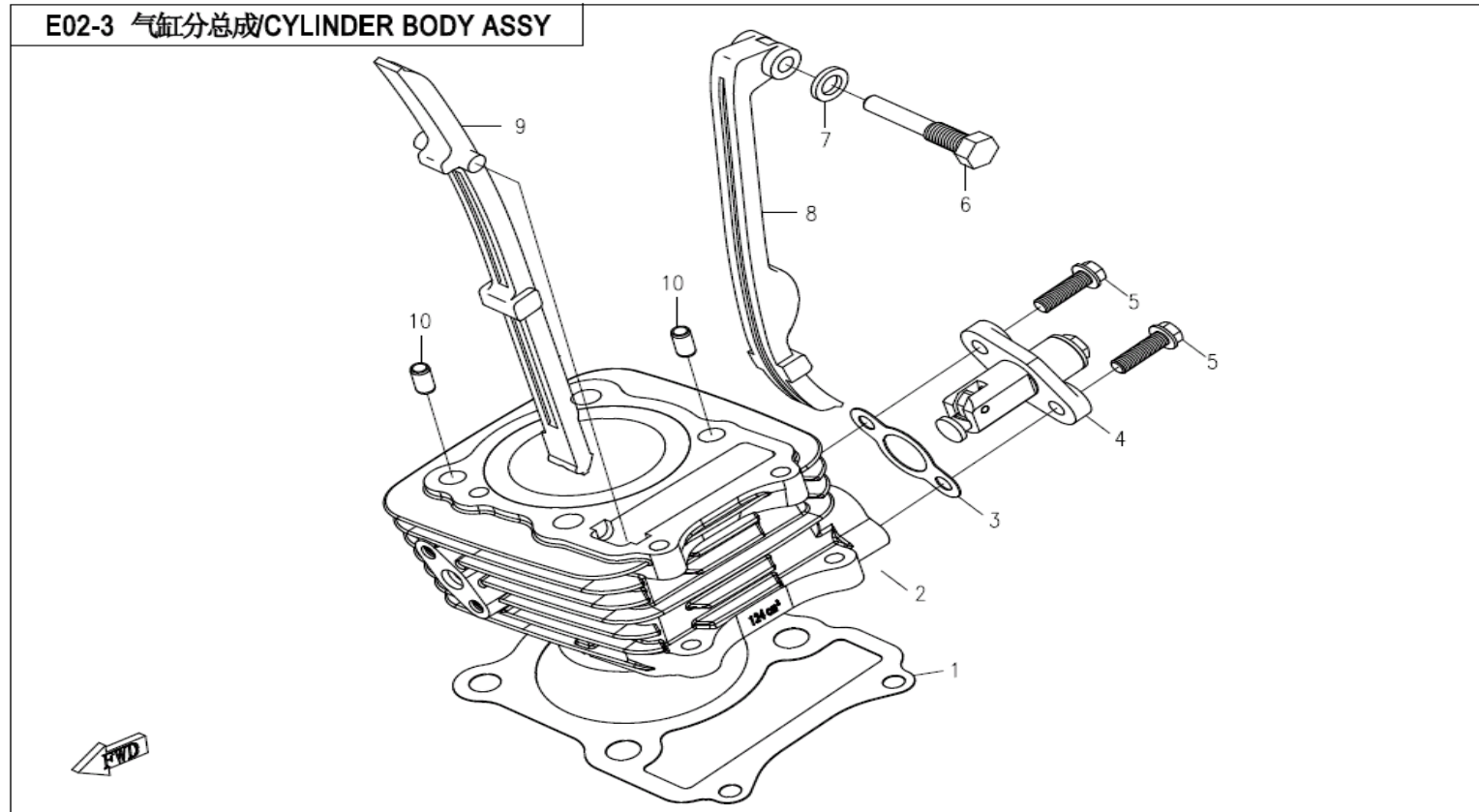
NO.	CODE	EN DESCRIPTION	QTY	REMARKS
E02-1-01	0C10-021003	DOWEL PIN Dia 8X12	2	
E02-1-02	0110-013028	O-SEAL RING 30x3.55	2	
E02-1-03	0110-013007-0B20	COVER, STRAINER	2	
E02-1-04	0C10-021002	PLUG, CAMSHAFT	1	
E02-1-05	0010-013008-0010	BOLT M6x35	8	
E02-1-06	0010-011017-0010	BOLT M6x60	2	
E02-1-07	0010-080013-0010	BOLT M6x22	2	
E02-1-08	0A70-021002	WASHER	2	
E02-1-09	0C10-021004	ROCKER ARM SHAFT	2	
E02-1-10	0A70-021005	O-RING 8.6x1.9	2	
E02-1-11	0A70-021100	SWING ARM ASSY	2	

E02-2 气缸盖分总成 CYLINDER HEAD



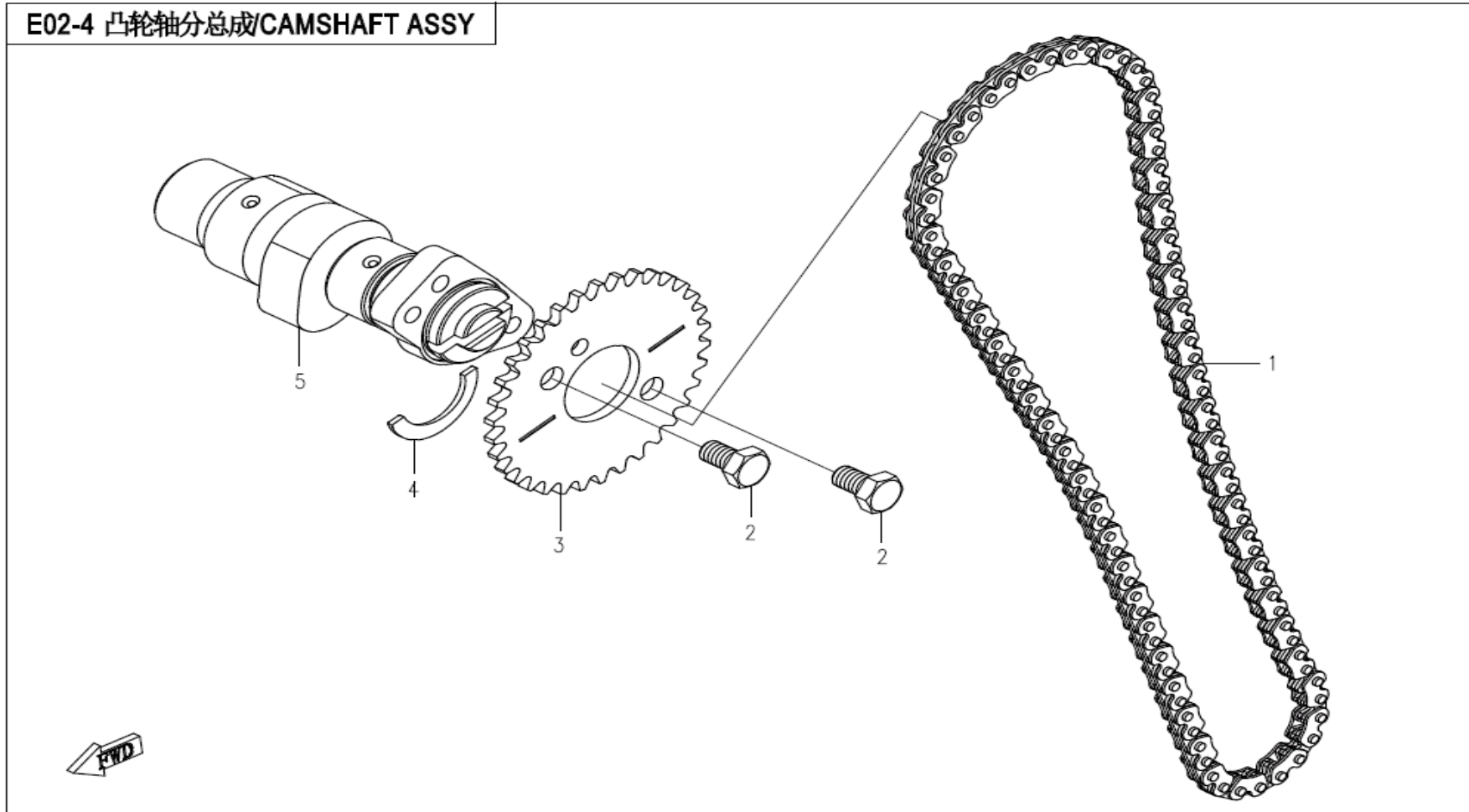
NO.	CODE	EN DESCRIPTION	QTY	REMARKS
E02-2-01	30204-060810	NUT M6	4	
E02-2-02	30011-060025820	STUD M6x25	4	
E02-2-03	0C10-022008	GASKET, CYLINDER HEAD	1	
E02-2-04	0KIA-0220A0-0B200	CYLINDER HEAD & HEAD COVER	1	
E02-2-05	0010-022012	WASHER 8	4	
E02-2-06	0010-022013-00002	BOLT M8	4	
E02-2-07	0KIA-022005	CYLINDER HEAD TEMP. SENSOR	1	
E02-2-08	0KIA-022003	SEAL RING, INJECTOR SEAT	2	
E02-2-09	0KIA-022002	HEAT INSULATOR, FUEL INJECTOR SEAT	1	
E02-2-10	0KIV-022201-4001	FUEL INJECTOR SEAT	1	
E02-2-11	30603-050000	CLAMP D50	2	
E02-2-12	0KIA-022004-00001	CONNECTING PIPE, THROTTLE BODY	1	
E02-2-13	0010-023008-00001	BOLT	1	
E02-2-14	0KIV-171000-4000	INJECTOR ASSY	1	
E02-2-15	0C10-022006	LOCK CLIP, VALVE	4	
E02-2-16	0C10-022005	SPRING PLATE, VALVE	2	
E02-2-17	0A70-022003	INNER SPRING, VALVE	2	
E02-2-18	0A70-022004	OUTER SPRING, VALVE	2	
E02-2-19	0010-022500-10000	SEAL RING, VALVE STEM	2	
E02-2-20	0C10-022007	SEAT, VALVE SPRING	2	
E02-2-21	0C10-022001	VALVE, INTAKE	1	
E02-2-22	0C10-022002	VALVE, EXHAUST	1	
E02-2-23	AC-005-1201-0009	SPARK PLUG	1	NGK CR8E
E02-2-24	0KIV-170010-4000	INJECTOR CAP	1	

E02-3 CYLINDER BODY ASSY.



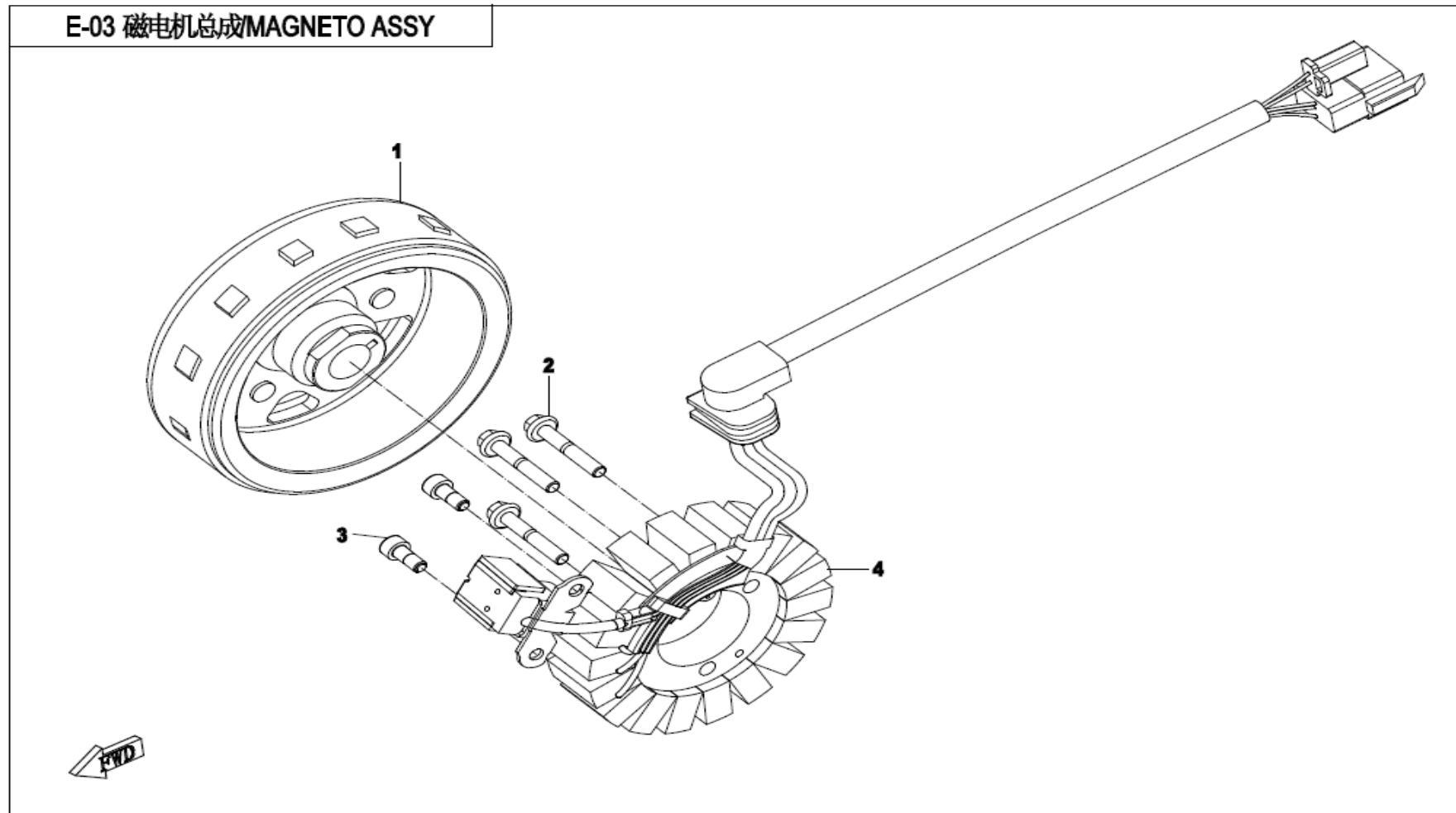
NO.	CODE	EN DESCRIPTION	QTY	REMARKS
E02-3-01	OC10-023004-10000	GASKET, CYLINDER HEAD	1	
E02-3-02	OKIB-023100-0B210	CYLINDER ASSY	1	
E02-3-03	0A70-023001-0G30	GASKET,TENSIONER	1	
E02-3-04	OC10-023200-1B200	TENSIONER ASSY	1	
E02-3-05	0010-023010-0010	BOLT M6x20	2	
E02-3-06	0180-023007-00001	BOLT, TENSIONER PLATE M8x39.5	1	
E02-3-07	0010-021016	WASHER 8	1	
E02-3-08	0A70-023300	TENSION PLATE ASSY	1	
E02-3-09	0A70-023400	CHAIN GUIDE	1	
E02-3-10	OC10-011007	DOWEL PIN Dia 11x16	2	

E02-4 CAMSHAFT ASSY.



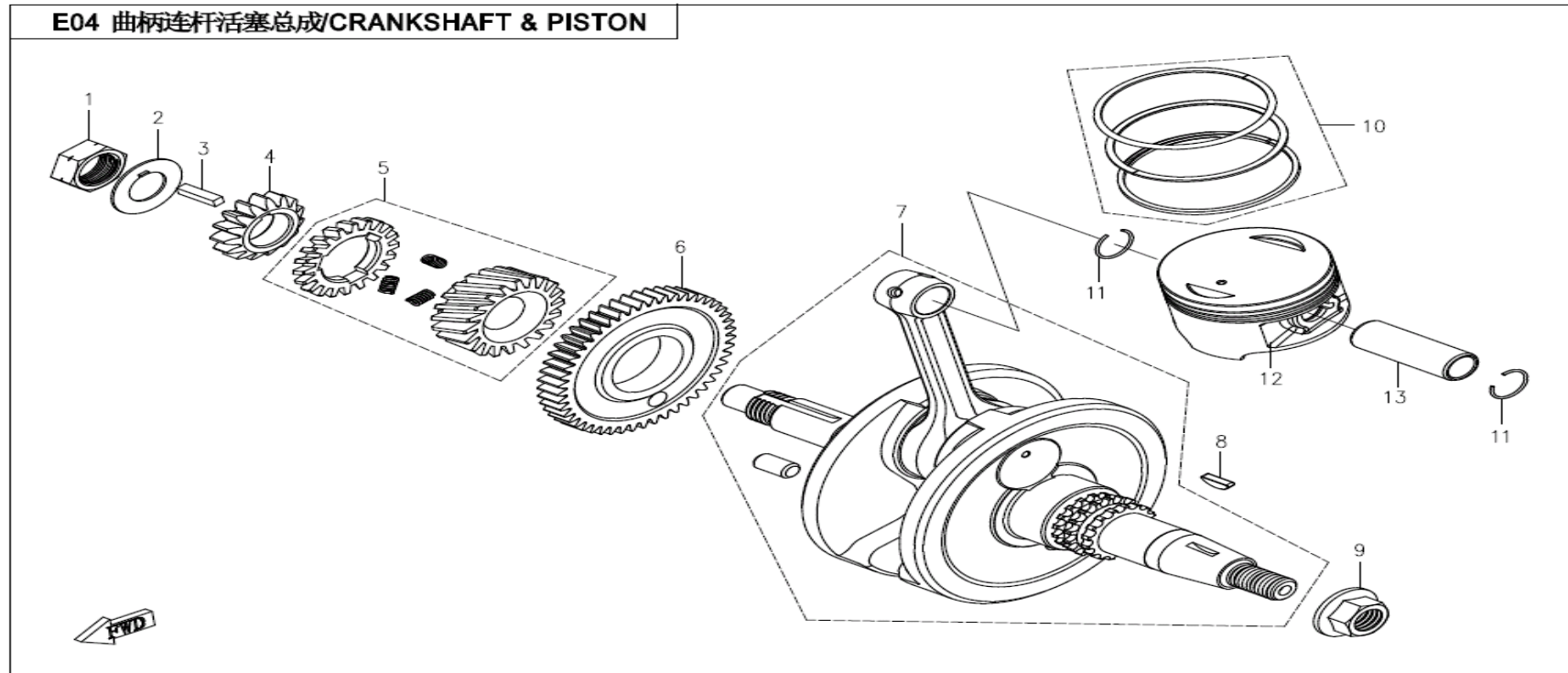
NO.	CODE	EN DESCRIPTION	QTY	REMARKS
E02-4-01	0A70-024100	TIMING CHAIN	1	
E02-4-02	30004-060010150	BOLT M6x10	2	
E02-4-03	0A70-024002	TIMING SPROCKET	1	
E02-4-04	0180-024004	CAMSHAFT SPACER	1	
E02-4-05	0A70-024001	CAMSHAFT	1	

E03 MAGNETO ASSY.



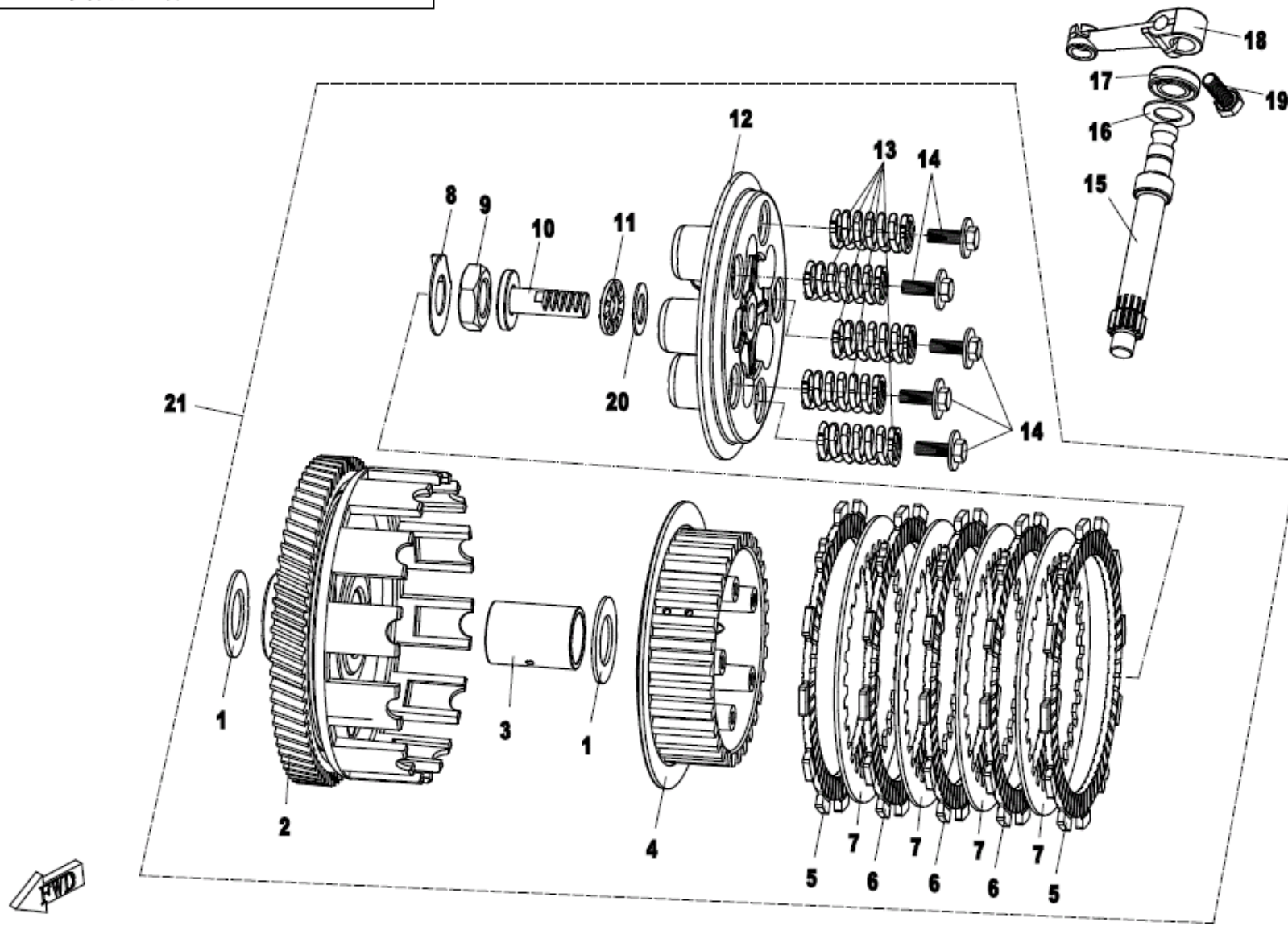
NO.	CODE	EN DESCRIPTION	QTY	REMARKS
E03-01	OKIV-031000-4000	MAGNETO ROTOR ASSY	1	
E03-02	0A70-014004-00002	BOLT M5x25	3	
E03-03	30102-050012810	SCREW M5x12	2	
E03-04	OKIA-032000-10000	MAGNETO STATOR ASSY	1	

E04 CRANKSHAFT /CONNECTING ROD & PISTON ASSY.



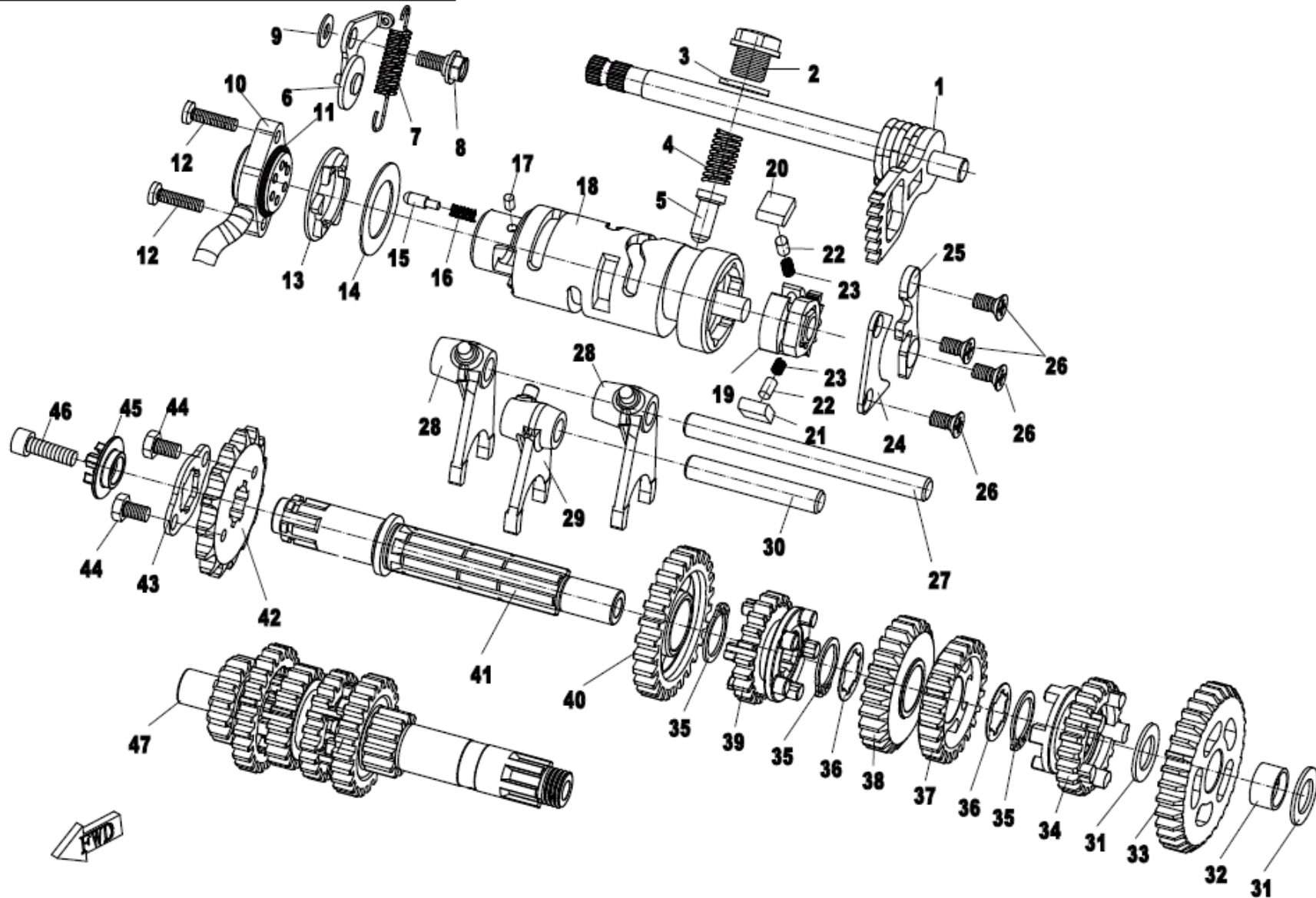
NO.	CODE	EN DESCRIPTION	QTY	REMARKS
E04-01	0A70-040007	NUT M16	1	
E04-02	0A70-040008	LOCK WASHER	1	
E04-03	3121100	GUIDE BLOCK B4x4x16	1	
E04-04	0A70-040009	DRIVE GEAR, OIL PUMP	1	
E04-05	0A80-043000	PRIMARY DRIVEN GEAR ASSY	1	
E04-06	0A80-040003	GEAR, CRANKSHAFT BALANCER	1	
E04-07	0KIB-041000	CRANKSHAFT & CONNECTING ROD ASSY	1	
E04-08	0A70-040011	WOODRUFF KEY	1	
E04-09	0110-052008-00002	NUT	1	
E04-10	0A70-0400A0	PISTON RING ASSY	1	
E04-11	0C10-040003	CIRCLIP, PISTON PIN	2	
E04-12	0C10-040001	PISTON	1	
E04-13	0C10-040002	PISTON PIN	1	

E05 离合器总成/CLUTCH ASSY



NO.	CODE	EN DESCRIPTION	QTY	REMARKS
E05-01	0A70-050002	WASHER 20x34.5x2	2	
E05-02	0A80-051100	PRIMARY DRIVEN GEAR ASSY	1	
E05-03	0A80-050001	BUSHING, PRIMARY DRIVEN GEAR	1	
E05-04	0A70-051201	HUB, CLUTCH	1	
E05-05	0A80-050010	DRIVE FRICTION DISC 1, CLUTCH	2	
E05-06	0A80-050020	DRIVE FRICTION DISC 2, CLUTCH	3	
E05-07	0A70-051202	DRIVEN DISC, CLUTCH	4	
E05-08	0A70-050004	LOCK WASHER	1	
E05-09	0A70-050005	NUT	1	
E05-10	0A80-050006	ROD, CLUTCH	1	
E05-11	0A80-050030	THRUST BEARING&BRACKET, CLUTCH	1	
E05-12	0A80-050008	PRESSURE PLATE, CLUTCH	1	
E05-13	0A70-051204	SPRING, CLUTCH	5	
E05-14	30112-050016410	SCREW ASSY M5x16	5	
E05-15	0A80-050009	ROD, CLUTCH	1	
E05-16	0A70-052002	WASHER 10x20x1	1	
E05-17	0110-080005	OIL SEAL 10x20x5	1	
E05-18	0A80-050005	SEPARATE SWING ARM	1	
E05-19	0010-090005-0010	BOLT M6x16	1	
E05-20	0A80-050004	WASHER	1	
E05-21	0A80-0500A0	CLUTCH ASSY	1	

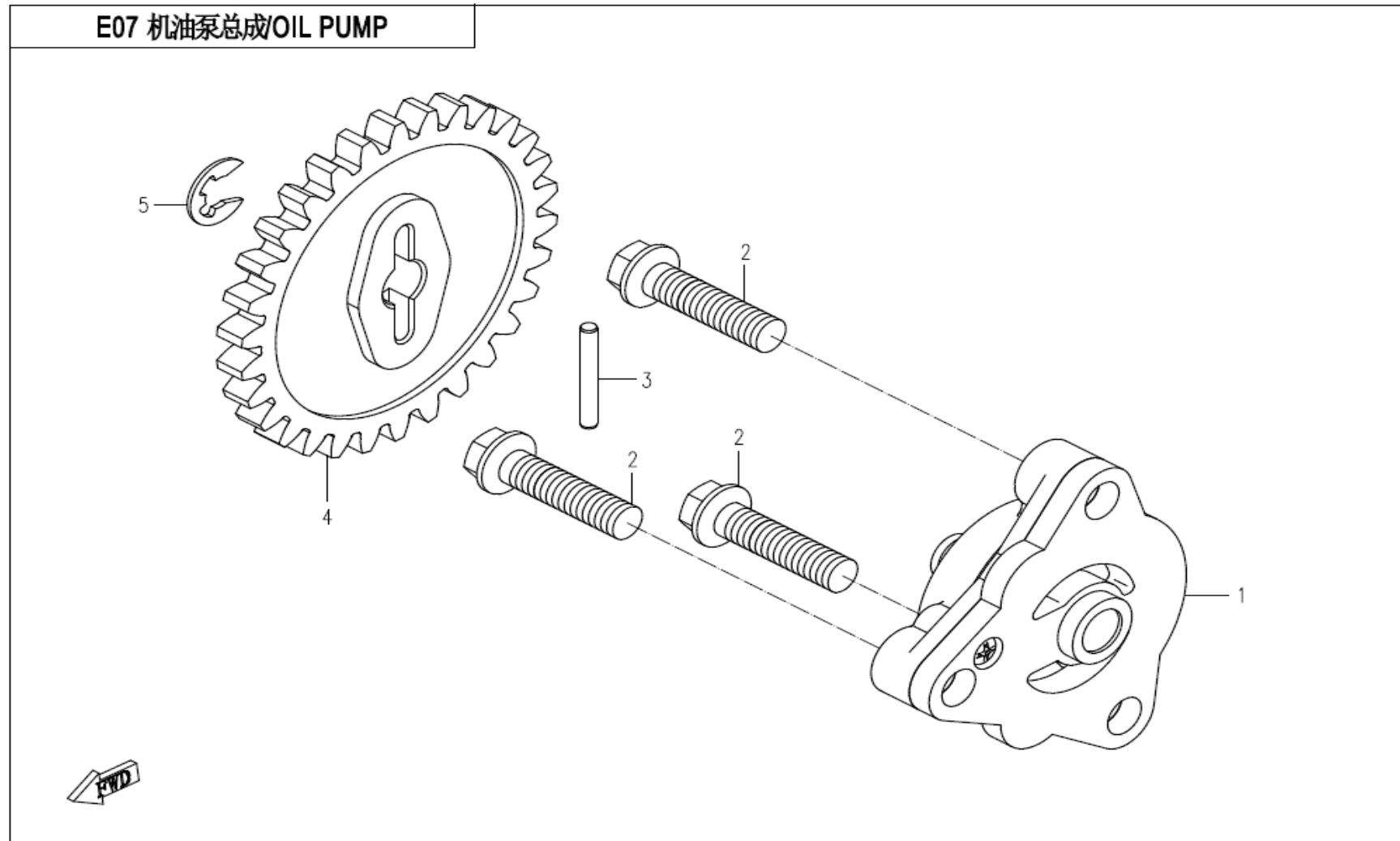
E06 换挡变速总成/TRANSMISSION ASSY



NO.	CODE	EN DESCRIPTION	QTY	REMARKS
E06-01	0A80-063000-00001	GEARSHIFT ASSY	1	
E06-02	0180-021008-00001	BOLT	1	
E06-03	0180-011006	GASKET 14	1	
E06-04	0A70-060012	SPRING, NEUTRAL	1	
E06-05	0A70-060013	STOPPER, NEUTRAL	1	
E06-06	0A70-065100	STOPPER, CAM	1	
E06-07	0A70-065003	GEARSHIFT LOCATED SPRING	1	
E06-08	0A70-065001-00001	BOLT, GEARSHIFT CAM	1	
E06-09	0A70-065002	WASHER 6	1	
E06-10	0A8V-066000-1001	GEAR POSITION SENSOR	1	
E06-11	0A70-060014	O-RING 26.2x2.4	1	
E06-12	30116-050020410	SCREW ASSY M5x20	2	
E06-13	0A70-064002	LOCATED PLATE, CAM	1	
E06-14	0A70-064001	WASHER 25x40x1	1	
E06-15	0A70-064004	CONTACTOR, GEAR SWITCH	1	
E06-16	0A70-064003	SPRING	1	
E06-17	30901-0400600	PIN	1	4x6
E06-18	0A80-064200-00001	SHIFT DRUM	1	
E06-19	0A70-064100	DRIVEN GEAR, CAM	1	
E06-20	0A70-064005	RH PAWL	1	
E06-21	0A70-064008	LH PAWL	1	
E06-22	0A70-064006	PIN, GEARSHIFT	2	
E06-23	0A70-064007	SPRING	2	
E06-24	0A70-060006	PAWL PLATE, GEARSHIFT	1	
E06-25	0A70-060005	CAM GUIDE	1	
E06-26	30107-060012410	SCREW M6x12	4	
E06-27	0A70-060003-00001	FORK SHAFT	1	
E06-28	0A70-060004	SHIFT FORK	2	
E06-29	0A70-060002	FORK, MIDDLE	1	
E06-30	0A70-060001-00001	FORK SHAFT	1	
E06-31	0A80-062009	WASHER 15x25x1.5	2	
E06-32	0A80-062008	BUSHING	1	
E06-33	0A80-062001	1-GEAR, COUNTERSHAFT	1	

NO.	CODE	EN DESCRIPTION	QTY	REMARKS
E06-34	0A80-062005	5-GEAR, COUNTERSHAFT	1	22
E06-35	0A80-061008	CIRCLIP	3	
E06-36	0A80-062007	WASHER	2	
E06-37	0A80-062004	4-GEAR, COUNTERSHAFT	1	24
E06-38	0A80-062003	3-GEAR, COUNTERSHAFT	1	26
E06-39	0A80-062006	6-GEAR, COUNTERSHAFT	1	21
E06-40	0A80-062020	2-GEAR, COUNTERSHAFT	1	26
E06-41	0KIA-062071	COUNTERSHAFT	1	
E06-42	0A80-060001	DRIVE SPROCKET	1	
E06-43	0A80-060002	GUARD, SPROKET	1	
E06-44	30004-060010850	BOLT M6x10	2	
E06-45	0KIA-060007	SPEED SENSOR DISC	1	NO ABS
E06-46	0110-090009-00002	INNER HEX SCREW	1	NO ABS
E06-46	0010-080008	DOWEL PIN	1	ABS
E06-47	0A80-061000-00001	MAIN SHAFT ASSY	1	

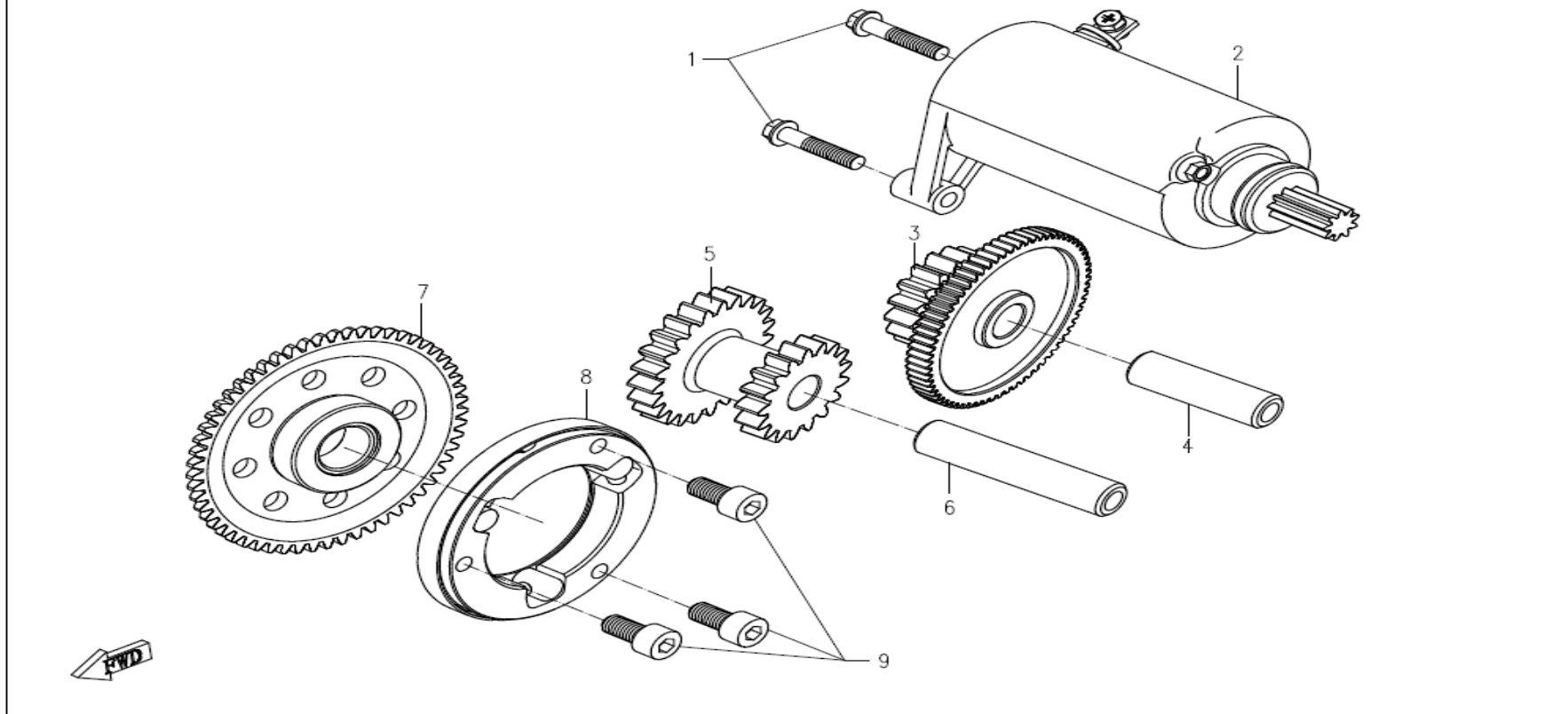
E07 OIL PUMP ASSY.



NO.	CODE	EN DESCRIPTION	QTY	REMARKS
E07-01	0A70-071000	OIL PUMP SUB ASSY	1	
E07-02	0010-021017-0010	BOLT M6x25	3	
E07-04	0A70-070001	DRIVEN GEAR, OIL PUMP	1	
E07-05	30802-00605	CIRCLIP	1	6

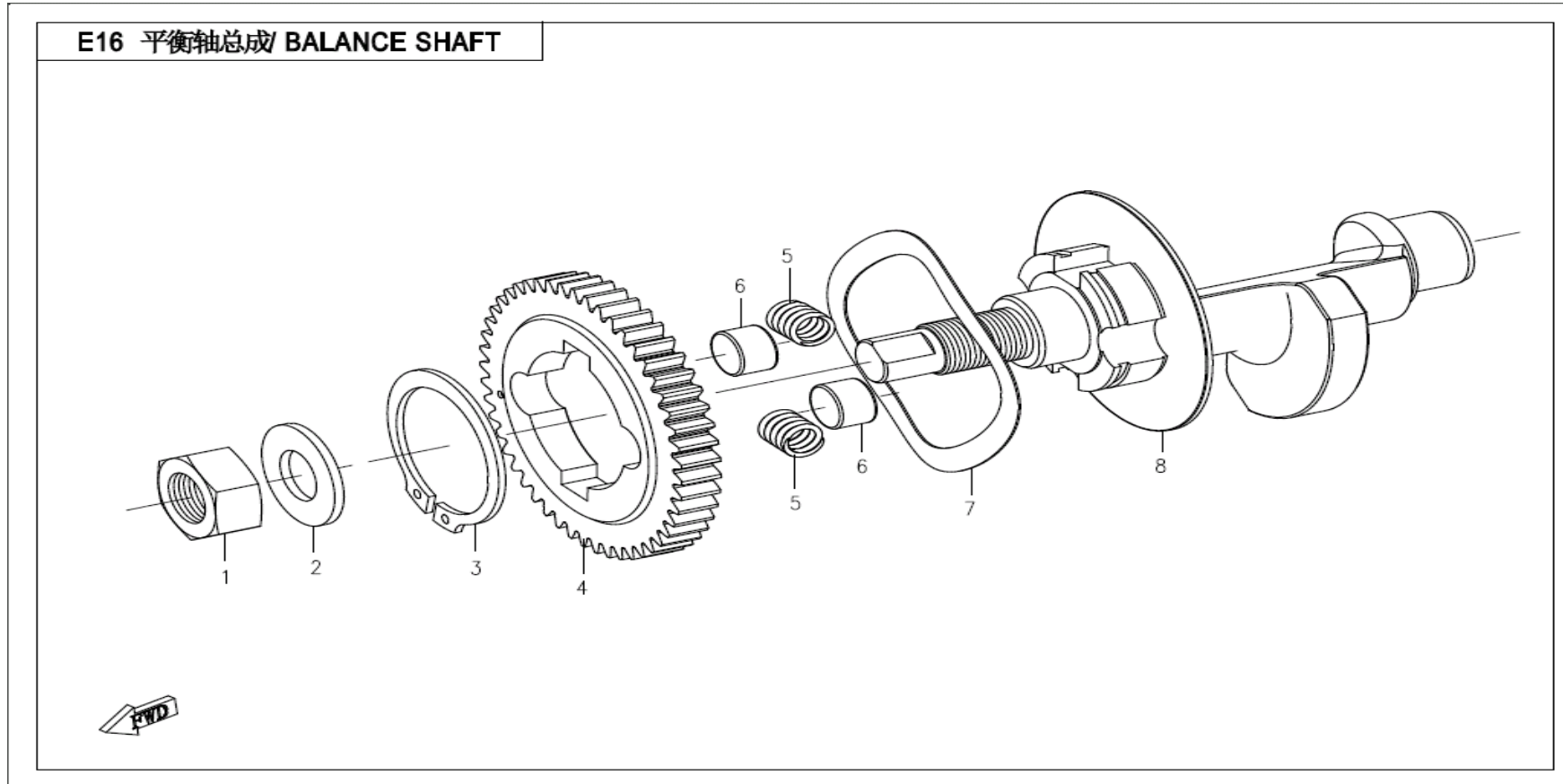
E09 ELECTRIC STARTING ASSY.

E09 起动系统总成/STARTING SYSTEM



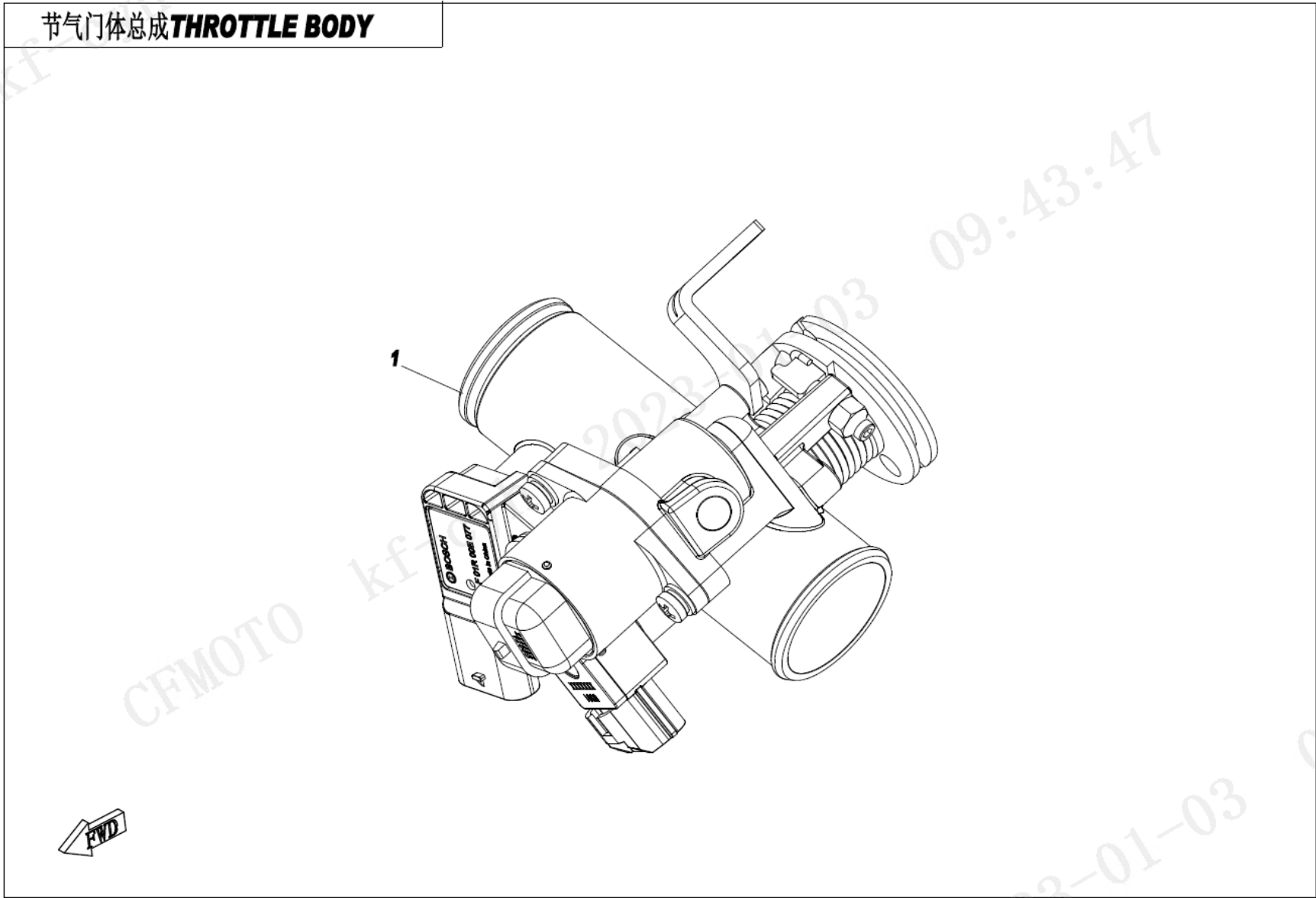
NO.	CODE	EN DESCRIPTION	QTY	REMARKS
E09-01	0010-021017-0010	BOLT M6x25	2	
E09-02	0A80-093000	STARTING MOTOR	1	
E09-03	0A80-090001-00001	DUAL GEAR 1	1	
E09-04	0A80-090003	SHAFT, DUAL GEAR I	1	
E09-05	0A80-090002-00001	DUAL GEAR 2	1	
E09-06	0A70-091002-00001	SHAFT, DUAL GEAR	1	
E09-07	0A8A-092000	GEAR, STARTING MOTOR	1	
E09-08	0A8A-094000	CLUTCH	1	
E09-09	0A8A-090004-00002	SCREW	3	

E16 BALANCE SHAFT ASSY.



NO.	CODE	EN DESCRIPTION	QTY	REMARKS
E16-01	0110-051007-00002	NUT	1	
E16-02	0010-051004	WASHER	1	14x28x2
E16-03	0A80-160005	CIRCLIP38	1	38
E16-04	0A80-160001	GEAR, BALANCE SHAFT	1	
E16-05	0A80-160004	SPRING, BALANCER GEAR	2	
E16-06	0A80-160003	DAMPER, BALANCE SHAFT GEAR	2	
E16-07	0A80-160002	WASHER	1	
E16-08	0K12-161000	BALANCE SHAFT ASSY	1	

E17 THROTTLE BODY ASSY.



NO.	CODE	EN DESCRIPTION	QTY	REMARKS
E17-01	OKIV-173000-4000	THROTTLE BODY	1	